

TRACK LIGHTING





CONTENTS

Modular Track Lighting	6 - 43
Track Accessories	44 - 49
Fixed Track	50 - 55
Track Kit	56 - 57



MODULAR TRACK

						
35455 P8	35456 P8	35457 P9	32362 P10	32361 P10	32360 P11	32363 P12
						
32364 P12	32365 P13	32366 P13	29680 P14	29678 P15	29676 P15	32983 P17
						
32984 P17	32367 P21	32368 P21	32985 P22	32986 P22	32987 P23	32988 P23
						
32991 P24	32990 P24	32989 P25	32992 P28	23346 P28	23348 P29	23350 P29
						
32993 P31	29670 P32	29672 P32	27996 P33	29006 P34	29008 P34	TK-HGP38 P36
						
TK-HGP30 P36	TK-HGP20 P37	23408 P37	23403 P38	23402 P38	23401 P38	29674 P39
						
23410 P39	23406 P39	29673 P40	23411 P40	23405 P40	23412 P41	23404 P41
						
23409 P42	23407 P42	23359 P42	33218 P43	TK-1VTX3 P43		



TRACK ACCESSORIES



1615 P45



1002 P45



1004 P45



1008 P45



1510 P46



1617 P46



1560 P47



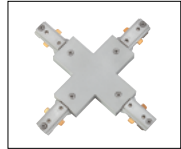
1570 P47



1530 P48



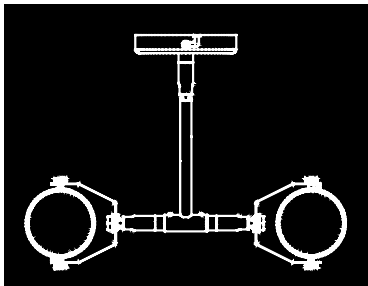
1540 P48



1550 P49



ADP P49



FIXED TRACK



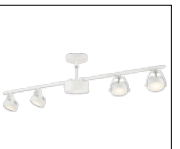
29007 P50



29009 P50



29010 P51



30342 P51



32753 P52



32754 P53



32755 P53



TK-3VTX3 P54



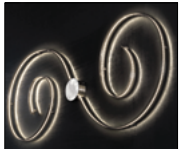
TK-5VTX3 P54



13732 P55



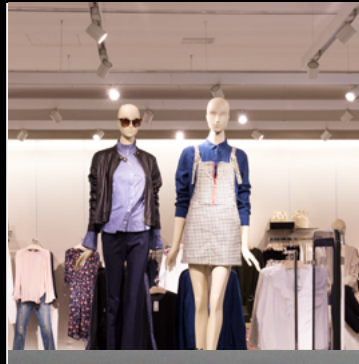
13733 P55



30099 P57



MODULAR TRACK LIGHTING



MODULAR TRACK LIGHTING



35455 30W LED TRACK HEAD

WATTS	LUMENS	KELVIN	DIMMABLE	CRI	BEAM ANGLE	VERTICAL ROTATION	HORIZONTAL ROTATION
30W	2670LM	3000K/3500K	TRIAC	90+	30°	90°	350°



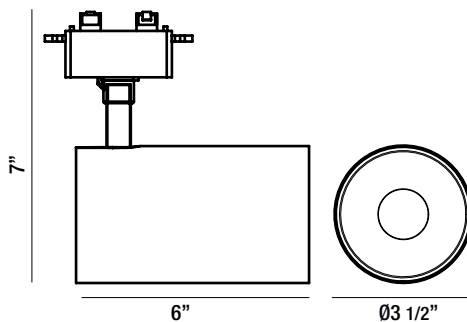
- Constructed of die cast aluminum
- Powder coated finish, available in white and black finish
- Adjustable direction suit different application requirements
- Eurofase track fixtures are compatible with most brands configured to Halo track system design

FINISHES



-01 Black

-02 White



ORDERING GUIDE:

MODEL	KELVIN	FINISH
35455	-30 3000K	-01 Black
	-35 3500K	-02 White

EXAMPLE: 35455-30-01



35456 15W LED TRACK HEAD

WATTS	LUMENS	KELVIN	DIMMABLE	CRI	BEAM ANGLE	VERTICAL ROTATION	HORIZONTAL ROTATION
15W	1380LM	3000K/3500K	TRIAC	90+	30°	90°	350°



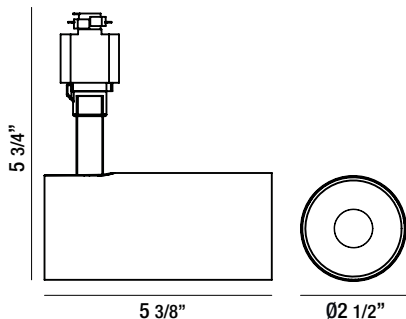
- Constructed of die cast aluminum
- Powder coated finish, available in white and black finish
- Adjustable direction suit different application requirements
- Eurofase track fixtures are compatible with most brands configured to Halo track system design

FINISHES



-01 Black

-02 White



ORDERING GUIDE:

MODEL	KELVIN	FINISH
35456	-30 3000K	-01 Black
	-35 3500K	-02 White

EXAMPLE: 35456-30-01

35457 7W LED TRACK HEAD



WATTS	LUMENS	KELVIN	DIMMABLE	CRI	BEAM ANGLE	VERTICAL ROTATION	HORIZONTAL ROTATION
7W	540LM	3000K/3500K	TRIAC	90+	24°	90°	340°



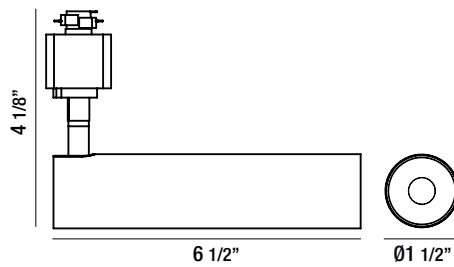
- Constructed of die cast aluminum
- Powder coated finish, available in white and black finish
- Adjustable direction suit different application requirements
- Eurofase track fixtures are compatible with most brands configured to Halo track system design

FINISHES



-01 Black

-02 White



ORDERING GUIDE:

MODEL	KELVIN	FINISH
35457	-30 3000K	-01 Black
	-35 3500K	-02 White

EXAMPLE: 35457-30-01





FINISHES



-01 Black

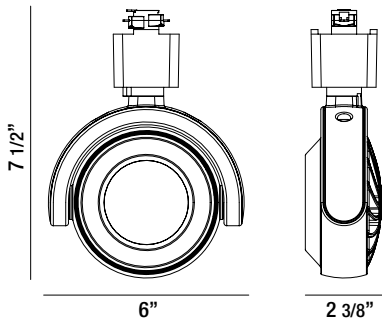
-02 White

32362 40W LED TRACK HEAD

WATTS	LUMENS	KELVIN	DIMMABLE	CRI	BEAM ANGLE	VERTICAL ROTATION	HORIZONTAL ROTATION
40W	2800LM	3000K/3500K	TRIAC	80+	24°	90°	340°



- Constructed of die cast aluminum
- Powder coated finish, available in white and black finish
- Adjustable direction suit different application requirements
- Eurofase track fixtures are compatible with most brands configured to Halo track system design



ORDERING GUIDE:

MODEL	KELVIN	FINISH
32362	-30 3000K	-01 Black
	-35 3500K	-02 White

EXAMPLE: 32362-30-01



FINISHES



-01 Black

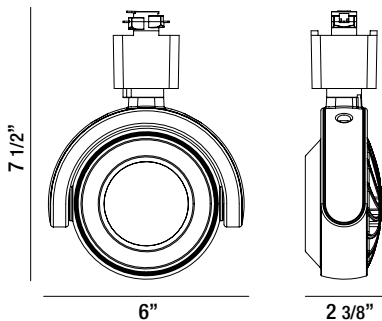
-02 White

32361 30W LED TRACK HEAD

WATTS	LUMENS	KELVIN	DIMMABLE	CRI	BEAM ANGLE	VERTICAL ROTATION	HORIZONTAL ROTATION
30W	2100LM	3000K/3500K	TRIAC	80+	24°	90°	340°



- Constructed of die cast aluminum
- Powder coated finish, available in white and black finish
- Adjustable direction suit different application requirements
- Eurofase track fixtures are compatible with most brands configured to Halo track system design



ORDERING GUIDE:

MODEL	KELVIN	FINISH
32361	-30 3000K	-01 Black
	-35 3500K	-02 White

EXAMPLE: 32361-30-01

32360 20W LED TRACK HEAD



WATTS	LUMENS	KELVIN	DIMMABLE	CRI	BEAM ANGLE	VERTICAL ROTATION	HORIZONTAL ROTATION
20W	1400LM	3000K/3500K	TRIAC	80+	24°	90°	340°



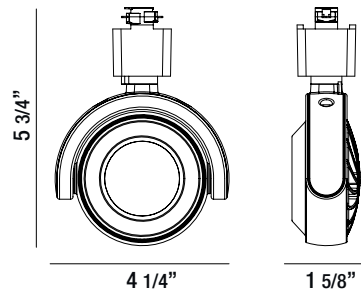
- Constructed of die cast aluminum
- Powder coated finish, available in white and black finish
- Adjustable direction suit different application requirements
- Eurofase track fixtures are compatible with most brands configured to Halo track system design

FINISHES



-01 Black

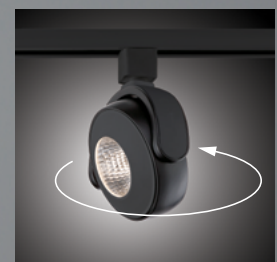
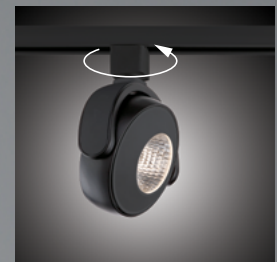
-02 White



ORDERING GUIDE:

MODEL	KELVIN	FINISH
32360	-30 3000K	-01 Black
	-35 3500K	-02 White

EXAMPLE: 32360-30-01





32363 40W LED TRACK HEAD

WATTS	LUMENS	KELVIN	DIMMABLE	CRI	BEAM ANGLE	VERTICAL ROTATION	HORIZONTAL ROTATION
40W	2800LM	3000K/3500K	TRIAC	90+	24°	90°	340°



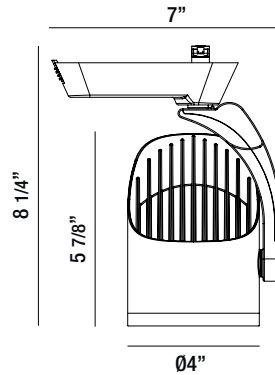
- Constructed of die cast aluminum
- Powder coated finish, available in white and black finish
- Adjustable direction suit different application requirements
- Eurofase track fixtures are compatible with most brands configured to Halo track system design

FINISHES



-01 Black

-02 White



ORDERING GUIDE:

MODEL	KELVIN	FINISH
32363	-30 3000K	-01 Black
	-35 3500K	-02 White

EXAMPLE: 32363-30-01



32364 30W LED TRACK HEAD

WATTS	LUMENS	KELVIN	DIMMABLE	CRI	BEAM ANGLE	VERTICAL ROTATION	HORIZONTAL ROTATION
30W	2100LM	3000K/3500K	TRIAC	90+	24°	90°	340°



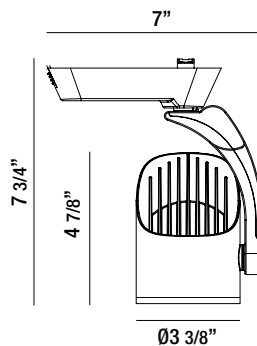
- Constructed of die cast aluminum
- Powder coated finish, available in white and black finish
- Adjustable direction suit different application requirements
- Eurofase track fixtures are compatible with most brands configured to Halo track system design

FINISHES



-01 Black

-02 White



ORDERING GUIDE:

MODEL	KELVIN	FINISH
32364	-30 3000K	-01 Black
	-35 3500K	-02 White

EXAMPLE: 32364-30-01



32365 20W LED TRACK HEAD

WATTS	LUMENS	KELVIN	DIMMABLE	CRI	BEAM ANGLE	VERTICAL ROTATION	HORIZONTAL ROTATION
20W	1400LM	3000K/3500K	TRIAC	90+	24°	90°	340°



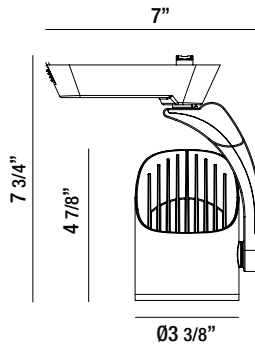
- Constructed of die cast aluminum
- Powder coated finish, available in white and black finish
- Adjustable direction suit different application requirements
- Eurofase track fixtures are compatible with most brands configured to Halo track system design

FINISHES



-01 Black

-02 White



ORDERING GUIDE:

MODEL	KELVIN	FINISH
32365	-30 3000K	-01 Black
	-35 3500K	-02 White

EXAMPLE: 32365-30-01



32366 15W LED TRACK HEAD

WATTS	LUMENS	KELVIN	DIMMABLE	CRI	BEAM ANGLE	VERTICAL ROTATION	HORIZONTAL ROTATION
15W	1050LM	3000K/3500K 4000K	TRIAC	90+	24°	90°	340°



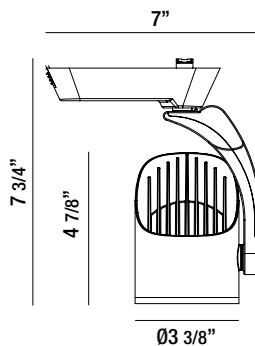
- Constructed of die cast aluminum
- Powder coated finish, available in white and black finish
- Adjustable direction suit different application requirements
- Eurofase track fixtures are compatible with most brands configured to Halo track system design

FINISHES



-01 Black

-02 White



ORDERING GUIDE:

MODEL	KELVIN	FINISH
32366	-30 3000K	-01 Black
	-35 3500K	-02 White
	-40 4000K	

EXAMPLE: 32366-30-01



29680 30W LED TRACK HEAD

WATTS	LUMENS	KELVIN	DIMMABLE	CRI	BEAM ANGLE	VERTICAL ROTATION	HORIZONTAL ROTATION
30W	2400LM	3000K/3500K	TRIAC	80+	30°	90°	340°



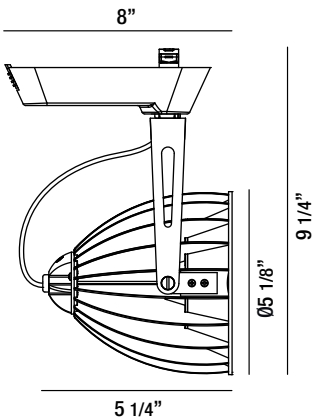
- Constructed of die cast aluminum
- Powder coated finish, available in white and black finish
- Adjustable direction suit different application requirements
- Eurofase track fixtures are compatible with most brands configured to Halo track system design

FINISHES



-01 Black

-02 White



ORDERING GUIDE:

MODEL	KELVIN	FINISH
29680	-30 3000K	-01 Black
	-35 3500K	-02 White

EXAMPLE: 29680-30-02

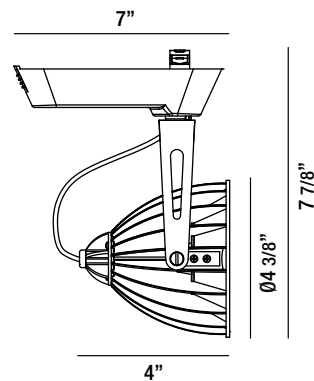


29678 20W LED TRACK HEAD

WATTS	LUMENS	KELVIN	DIMMABLE	CRI	BEAM ANGLE	VERTICAL ROTATION	HORIZONTAL ROTATION
20W	1600LM	3000K/3500K	TRIAC	80+	30°	90°	340°



- Constructed of die cast aluminum
- Powder coated finish, available in white and black finish
- Adjustable direction suit different application requirements
- Eurofase track fixtures are compatible with most brands configured to Halo track system design



ORDERING GUIDE:

MODEL	KELVIN	FINISH
29678	-30 3000K	-01 Black
	-35 3500K	-02 White

EXAMPLE: 29678-30-02

FINISHES



-01 Black

-02 White

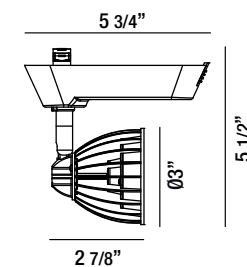


29676 10W LED TRACK HEAD

WATTS	LUMENS	KELVIN	DIMMABLE	CRI	BEAM ANGLE	VERTICAL ROTATION	HORIZONTAL ROTATION
10W	800LM	3000K/3500K 4000K	TRIAC	80+	30°	90°	340°



- Constructed of die cast aluminum
- Powder coated finish, available in white and black finish
- Adjustable direction suit different application requirements
- Eurofase track fixtures are compatible with most brands configured to Halo track system design



ORDERING GUIDE:

MODEL	KELVIN	FINISH
29676	-30 3000K	-01 Black
	-35 3500K	-02 White
	-40 4000K	

EXAMPLE: 29676-30-02

FINISHES



-01 Black

-02 White



Unique square shape, outstanding lighting quality with various beam angle to apply different diffusers for different environment. With wide variety of lighting type, track light, recessed down light, surface mounted light and wall light.

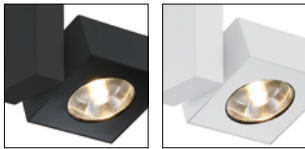
32983 30W LED TRACK HEAD

WATTS	LUMENS	KELVIN	DIMMABLE	CRI	BEAM ANGLE	VERTICAL ROTATION	HORIZONTAL ROTATION
30W	2800LM	3500K	TRIAC	80+	30°	90°	350°



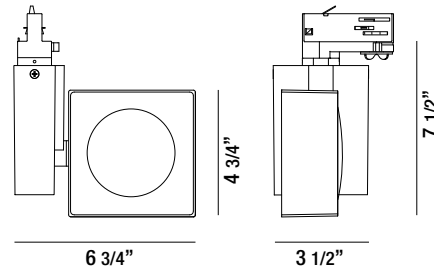
- Constructed of die cast aluminum
- Powder coated finish, available in white and black finish
- Adjustable direction suit different application requirements
- Eurofase track fixtures are compatible with most brands configured to Halo track system design

FINISHES



-01 Black

-02 White



ORDERING GUIDE:

MODEL	KELVIN	BEAM ANGLE	FINISH
32983	-35 3500K	-3 30°	-01 Black -02 White

EXAMPLE: 32983-35-3-01

32984 30W LED TRACK HEAD

WATTS	LUMENS	KELVIN	DIMMABLE	CRI	BEAM ANGLE	VERTICAL ROTATION	HORIZONTAL ROTATION
30W	2300LM	3500K	TRIAC	80+	30°	90°	350°



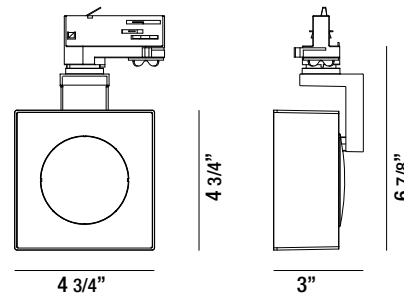
- Constructed of die cast aluminum
- Powder coated finish, available in white and black finish
- Adjustable direction suit different application requirements
- Eurofase track fixtures are compatible with most brands configured to Halo track system design

FINISHES



-01 Black

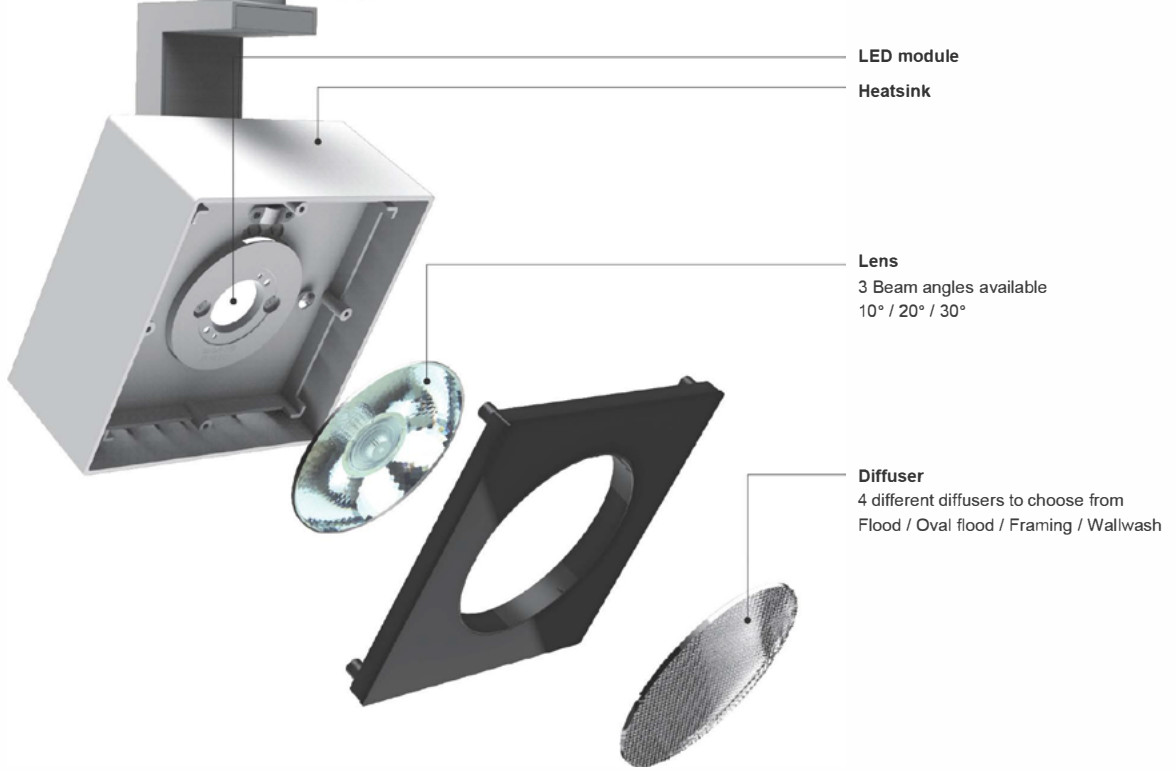
-02 White



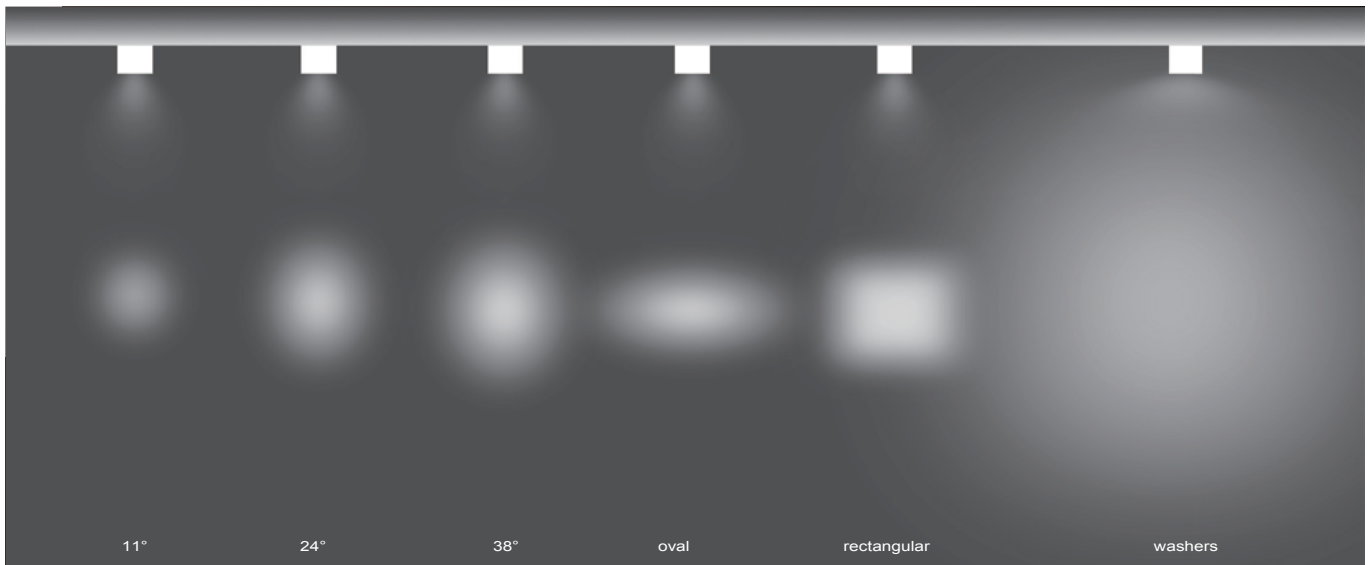
ORDERING GUIDE:

MODEL	KELVIN	BEAM ANGLE	FINISH
32984	-35 3500K	-3 30°	-01 Black -02 White

EXAMPLE: 32984-35-3 -01



Lighting Technology

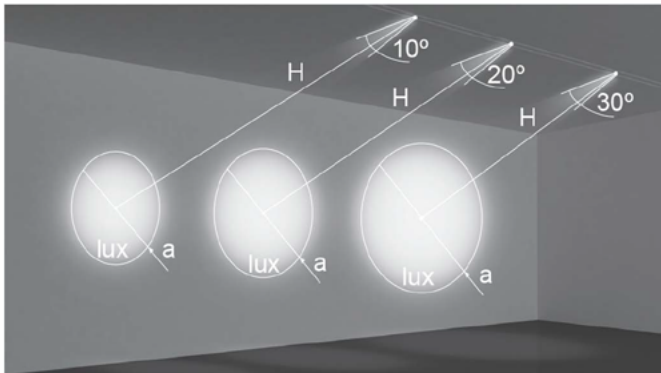


Multiple combination between the lens & diffuser

Lens

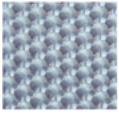
Spot (Angle 10° / 20° / 30°)

Round narrow beam is suitable for object lighting.



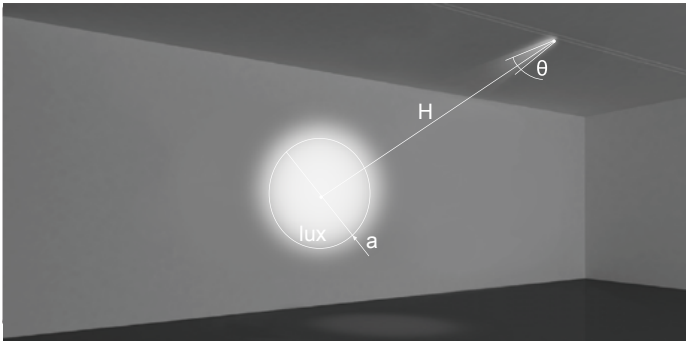
BEAM ANGLE	H	a	lux
30°	1m	Ø63cm	3986 lx
	2m	Ø126cm	997 lx
	2.5m	Ø158cm	638 lx

Option of Diffuser

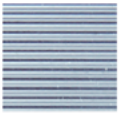


32995-015 FLOOD DIFFUSER

Wider beam diffuser to focus on larger objects.

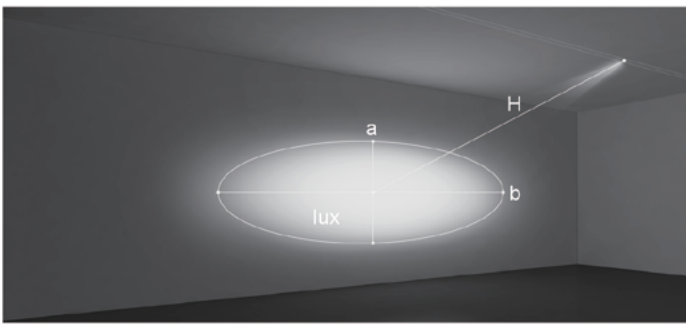


BEAM ANGLE	H	a	lux	θ
30°	1m	Ø99cm	601 lx	55°
	2m	Ø198cm	150 lx	
	2.5m	Ø248cm	96 lx	

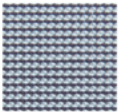


32996-012 OVAL FLOOD DIFFUSER

Oval flood beam suitable for wall wash.

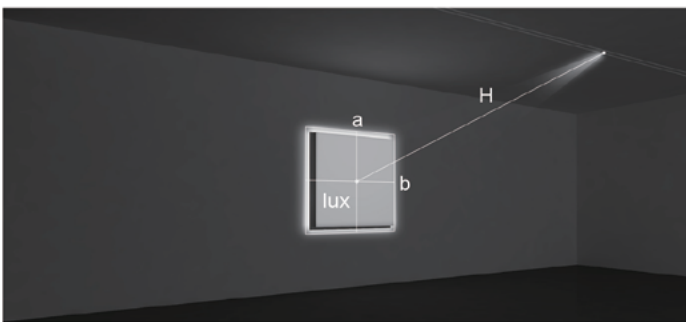


BEAM ANGLE	H	a/b	lux
30°	1m	65cm / 88cm	1663 lx
	2m	130cm / 176cm	416 lx
	2.5m	163cm / 220cm	266 lx

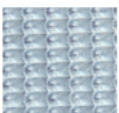


32997-019 FRAMING DIFFUSER

Square diffuser to focus on artwork in the gallery.

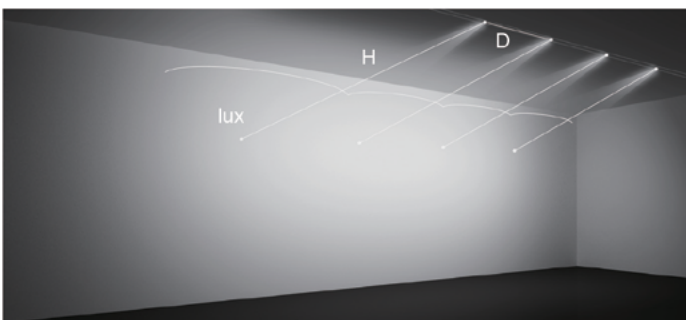


BEAM ANGLE	H	a/b	lux
30°	1m	108cm / 108cm	559 lx
	2m	216cm / 216cm	140 lx
	2.5m	270cm / 270cm	89 lx



32998-016 WALLWASH DIFFUSER

Wall wash provides even spread on the wall.



BEAM ANGLE	H	D	lux
30°	1m	61cm	381 lx
	2m	121cm	95 lx
	2.5m	152cm	61 lx



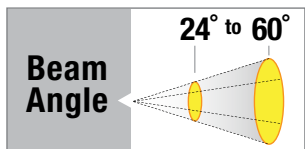


32367 40W LED TRACK HEAD

WATTS	LUMENS	KELVIN	DIMMABLE	CRI	BEAM ANGLE	VERTICAL ROTATION	HORIZONTAL ROTATION
40W	2800LM	3000K/3500K	TRIAC	80+	24°- 60°	90°	340°



- Constructed of die cast aluminum
- Powder coated finish, available in white and black finish
- Adjustable direction suit different application requirements
- Eurofase track fixtures are compatible with most brands configured to Halo track system design
- Calibrate Beam Angle from 24° to 60°

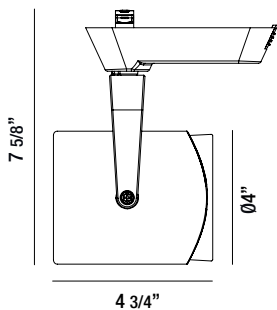


FINISHES



-01 Black

-02 White



ORDERING GUIDE:

MODEL	KELVIN	FINISH
32367	-30 3000K	-01 Black
	-35 3500K	-02 White

EXAMPLE: 32367-30-01

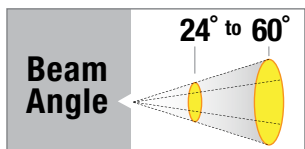


32368 30W LED TRACK HEAD

WATTS	LUMENS	KELVIN	DIMMABLE	CRI	BEAM ANGLE	VERTICAL ROTATION	HORIZONTAL ROTATION
30W	2100LM	3000K/3500K	TRIAC	80+	24°- 60°	90°	340°



- Constructed of die cast aluminum
- Powder coated finish, available in white and black finish
- Adjustable direction suit different application requirements
- Eurofase track fixtures are compatible with most brands configured to Halo track system design
- Calibrate Beam Angle from 24° to 60°

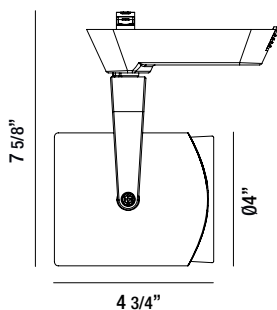


FINISHES



-01 Black

-02 White



ORDERING GUIDE:

MODEL	KELVIN	FINISH
32368	-30 3000K	-01 Black
	-35 3500K	-02 White

EXAMPLE: 32368-30-01



32986 30W LED TRACK HEAD

WATTS	LUMENS	KELVIN	DIMMABLE	CRI	BEAM ANGLE	VERTICAL ROTATION	HORIZONTAL ROTATION
30W	2500LM	3000K/3500K	TRIAC	80+	38°	90°	270°



- Constructed of die cast aluminum
- Powder coated finish, available in white and black finish
- Adjustable direction suit different application requirements
- Eurofase track fixtures are compatible with most brands configured to Halo track system design

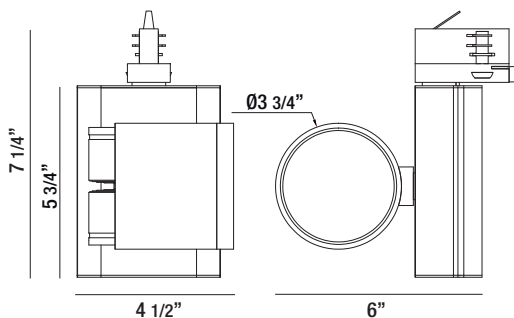
FINISHES



-01 Black



-02 White



ORDERING GUIDE:

MODEL	KELVIN	FINISH
32986	-30 3000K	-01 Black
	-35 3500K	-02 White

EXAMPLE: 32986-30-01



32985 15W LED TRACK HEAD

WATTS	LUMENS	KELVIN	DIMMABLE	CRI	BEAM ANGLE	VERTICAL ROTATION	HORIZONTAL ROTATION
15W	1250LM	3000K/3500K 4000K	TRIAC	80+	38°	90°	270°



- Constructed of die cast aluminum
- Powder coated finish, available in white and black finish
- Adjustable direction suit different application requirements
- Eurofase track fixtures are compatible with most brands configured to Halo track system design

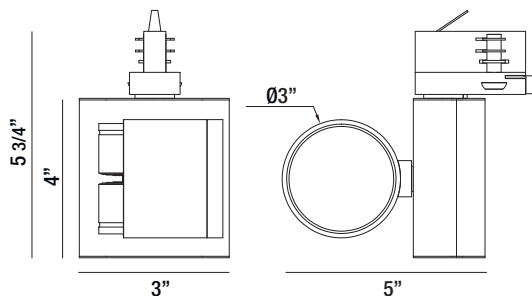
FINISHES



-01 Black



-02 White



ORDERING GUIDE:

MODEL	KELVIN	FINISH
32985	-30 3000K	-01 Black
	-35 3500K	-02 White
	-40 4000K	

EXAMPLE: 32985-30-01

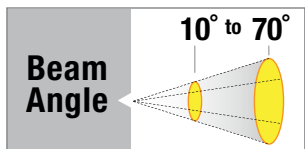


32988 35W LED TRACK HEAD

WATTS	LUMENS	KELVIN	DIMMABLE	CRI	BEAM ANGLE	VERTICAL ROTATION	HORIZONTAL ROTATION
35W	2950LM	3000K/3500K	TRIAC	80+	10°- 70°	90°	270°



- Constructed of die cast aluminum
- Powder coated finish, available in white and black finish
- Adjustable direction suit different application requirements
- Eurofase track fixtures are compatible with most brands configured to Halo track system design
- Calibrate Beam Angle from 10° to 70°

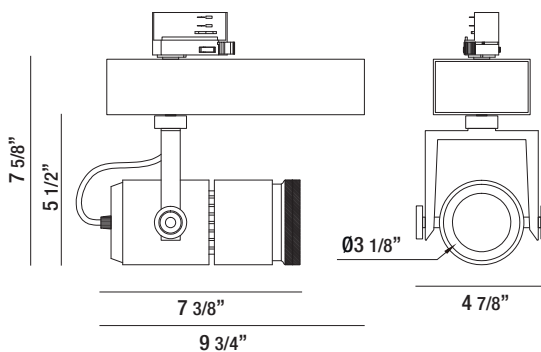


FINISHES



-01 Black

-02 White



ORDERING GUIDE:

MODEL	KELVIN	FINISH
32988	-30 3000K	-01 Black
	-35 3500K	-02 White

EXAMPLE: 32988-30-01

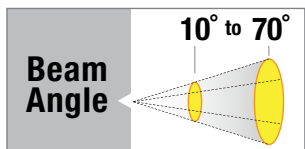


32987 15W LED TRACK HEAD

WATTS	LUMENS	KELVIN	DIMMABLE	CRI	BEAM ANGLE	VERTICAL ROTATION	HORIZONTAL ROTATION
15W	1250LM	3000K/3500K 4000K	TRIAC	80+	10°- 70°	90°	270°



- Constructed of die cast aluminum
- Powder coated finish, available in white and black finish
- Adjustable direction suit different application requirements
- Eurofase track fixtures are compatible with most brands configured to Halo track system design
- Calibrate Beam Angle from 10° to 70°

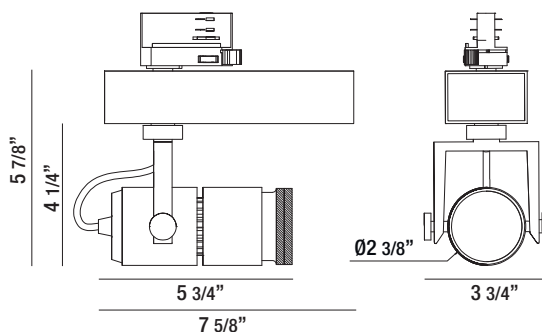


FINISHES



-01 Black

-02 White



ORDERING GUIDE:

MODEL	KELVIN	FINISH
32987	-30 3000K	-01 Black
	-35 3500K	-02 White
	-40 4000K	

EXAMPLE: 32987-30-01





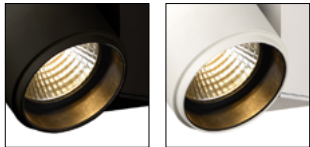
32991 30W LED TRACK HEAD

WATTS	LUMENS	KELVIN	DIMMABLE	CRI	BEAM ANGLE	VERTICAL ROTATION	HORIZONTAL ROTATION
30W	2550LM	3000K/3500K	TRIAC	80+	35°	90°	270°



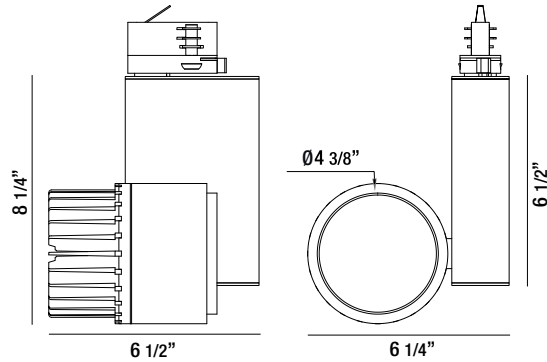
- Constructed of die cast aluminum
- Powder coated finish, available in white and black finish
- Adjustable direction suit different application requirements
- Eurofase track fixtures are compatible with most brands configured to Halo track system design

FINISHES



-01 Black

-02 White



ORDERING GUIDE:

MODEL	KELVIN	FINISH
32991	-30 3000K	-01 Black
	-35 3500K	-02 White

EXAMPLE: 32991-30-01



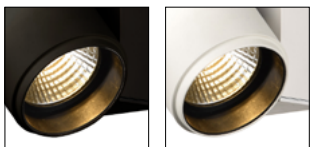
32990 20W LED TRACK HEAD

WATTS	LUMENS	KELVIN	DIMMABLE	CRI	BEAM ANGLE	VERTICAL ROTATION	HORIZONTAL ROTATION
20W	1700LM	3000K/3500K	TRIAC	80+	35°	90°	270°



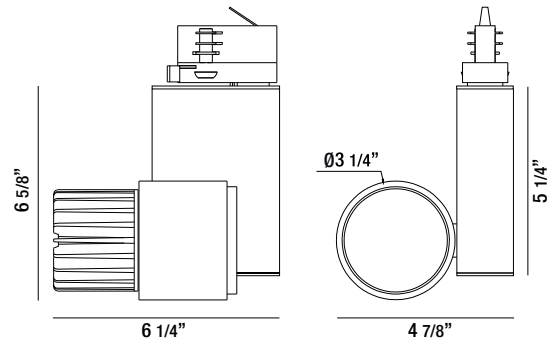
- Constructed of die cast aluminum
- Powder coated finish, available in white and black finish
- Adjustable direction suit different application requirements
- Eurofase track fixtures are compatible with most brands configured to Halo track system design

FINISHES



-01 Black

-02 White



ORDERING GUIDE:

MODEL	KELVIN	FINISH
32990	-30 3000K	-01 Black
	-35 3500K	-02 White

EXAMPLE: 32990-30-01

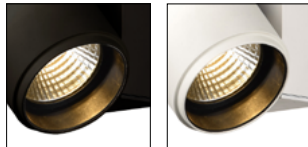
32989 10W LED TRACK HEAD

WATTS	LUMENS	KELVIN	DIMMABLE	CRI	BEAM ANGLE	VERTICAL ROTATION	HORIZONTAL ROTATION
10W	850LM	3000K/3500K 4000K	TRIAC	80+	35°	90°	270°



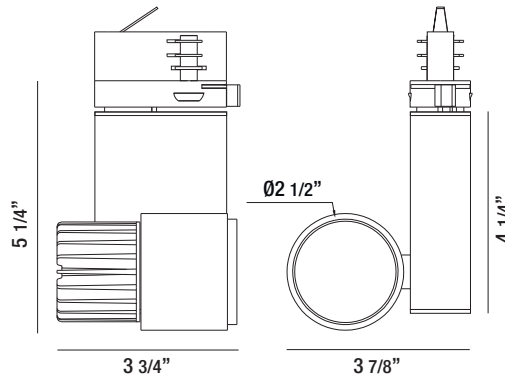
- Constructed of die cast aluminum
- Powder coated finish, available in white and black finish
- Adjustable direction suit different application requirements
- Eurofase track fixtures are compatible with most brands configured to Halo track system design

FINISHES



-01 Black

-02 White



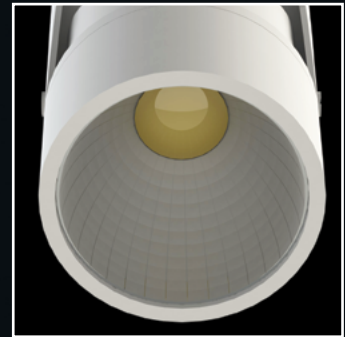
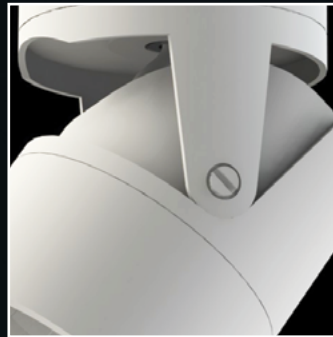
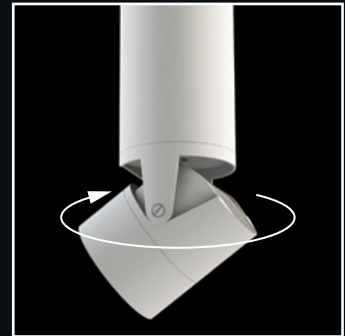
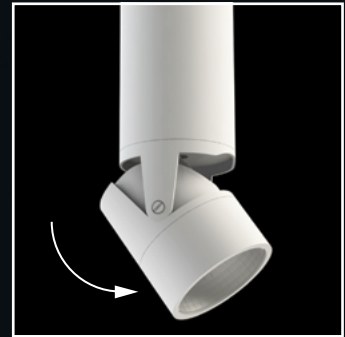
ORDERING GUIDE:

MODEL	KELVIN	FINISH
32989	-30 3000K	-01 Black
	-35 3500K	-02 White
	-40 4000K	

EXAMPLE: 32989-30-01



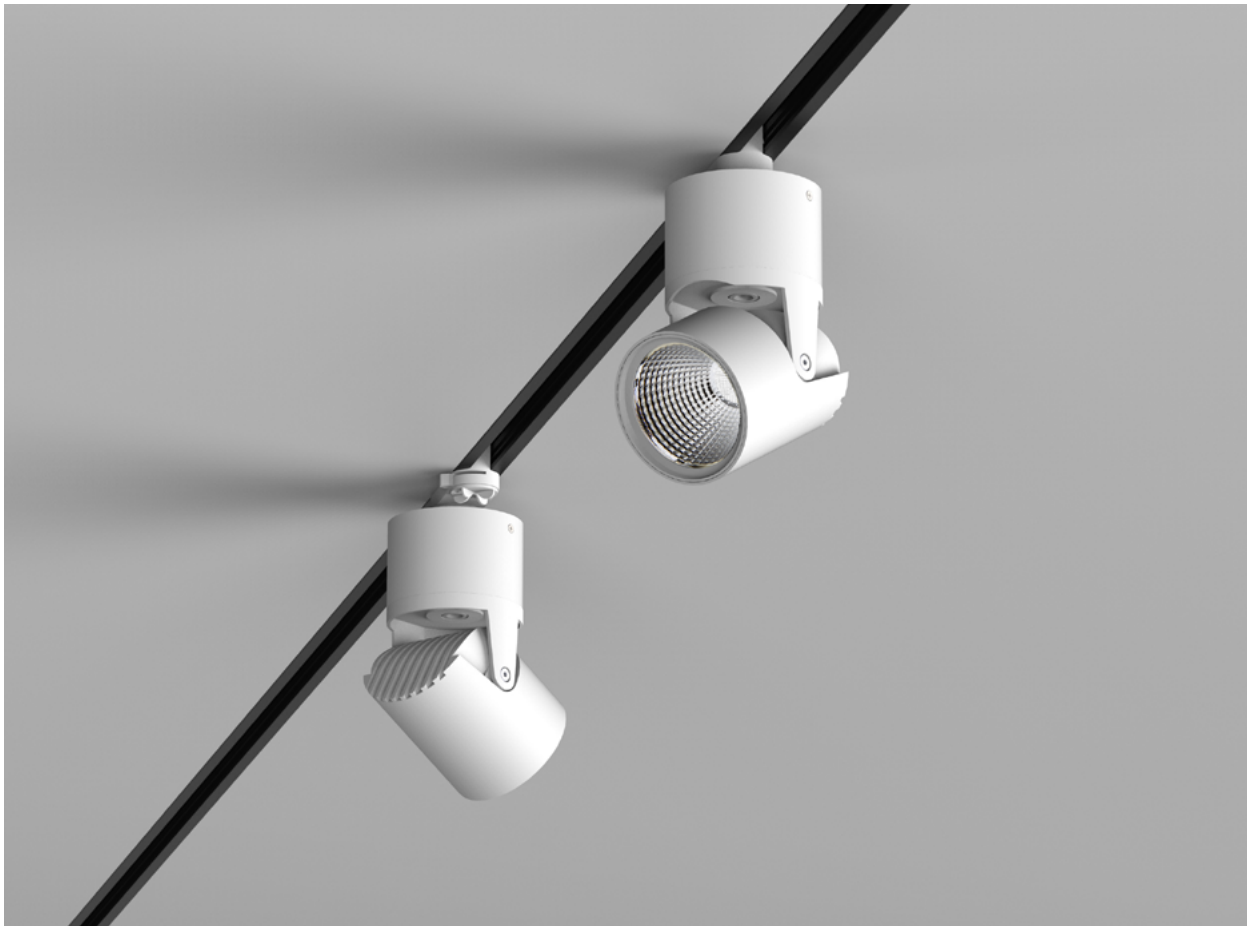
MODULAR TRACK LIGHTING



ARCHITECTURAL LIGHTING

- Track mounted
- Easy installation and maintenance
- 90° Vertical adjustment for the aiming of the light
- 350° Horizontal adjustment for the aiming of the light





MODULAR TRACK LIGHTING



32992 30W LED 2-IN-1 CONVERTIBLE TRACK & SURFACE MOUNT

WATTS	LUMENS	KELVIN	DIMMABLE	CRI	BEAM ANGLE	VERTICAL ROTATION	HORIZONTAL ROTATION
30W	2900LM	3500K	TRIAC	90+	38°	86°	350°

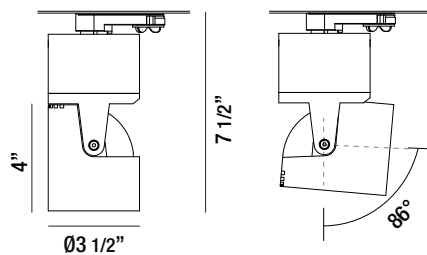


- Constructed of die cast aluminum
- Powder coated finish, available in white finish
- Adjustable direction suit different application requirements
- Eurofase track fixtures are compatible with most brands configured to Halo track system design

FINISHES



-02 White



ORDERING GUIDE:

MODEL	KELVIN	FINISH
32992	-35 3500K	-02 White

EXAMPLE: 32992-35-02



23346 24W LED 2-IN-1 CONVERTIBLE TRACK & SURFACE MOUNT

WATTS	LUMENS	KELVIN	DIMMABLE	CRI	BEAM ANGLE	VERTICAL ROTATION	HORIZONTAL ROTATION
24W	2000LM	3000K	TRIAC	85+	40°	86°	350°

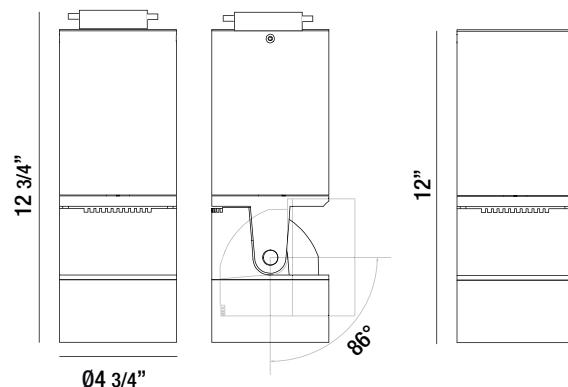


- Constructed of die cast aluminum
- Powder coated finish, available in white finish
- Adjustable direction suit different application requirements
- Eurofase track fixtures are compatible with most brands configured to Halo track system design

FINISHES



-017 White





23348 13W LED 2-IN-1 CONVERTIBLE TRACK & SURFACE MOUNT

WATTS	LUMENS	KELVIN	DIMMABLE	CRI	BEAM ANGLE	VERTICAL ROTATION	HORIZONTAL ROTATION
13W	1250LM	3500K	TRIAC	90+	38°	86°	350°

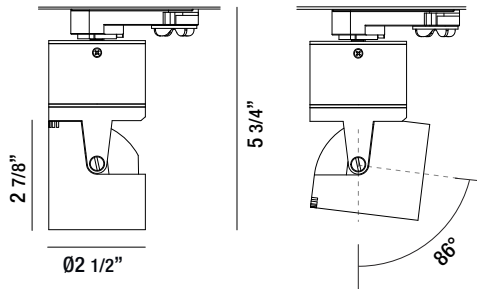


- Constructed of die cast aluminum
- Powder coated finish, available in white finish
- Adjustable direction suit different application requirements
- Eurofase track fixtures are compatible with most brands configured to Halo track system design

FINISHES



-02 White



ORDERING GUIDE:

MODEL	KELVIN	FINISH
23348	-35 3500K	-02 White

EXAMPLE: 23348-35-02



23350 50W MR16 2-IN-1 CONVERTIBLE TRACK & SURFACE MOUNT

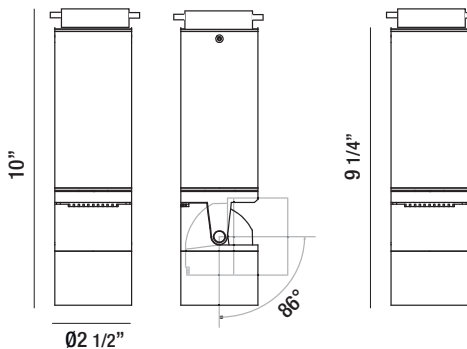
WATTS	BULB TYPE	BULB SOCKET	VERTICAL ROTATION	HORIZONTAL ROTATION
50W	MR16	G5.3	90°	350°

- Constructed of die cast aluminum
- Powder coated finish, available in white finish
- Adjustable direction suit different application requirements
- Bulb not included

FINISHES



-014 White







32993 30W LED TRACK HEAD

WATTS	LUMENS	KELVIN	DIMMABLE	CRI	BEAM ANGLE	VERTICAL ROTATION	HORIZONTAL ROTATION
30W	2000LM	3000K/3500K	TRIAC	80+	100°	67.5°	355°



- Constructed of die cast aluminum
- Powder coated finish, available in white and black finish
- Adjustable direction suit different application requirements
- Eurofase track fixtures are compatible with most brands configured to Halo track system design

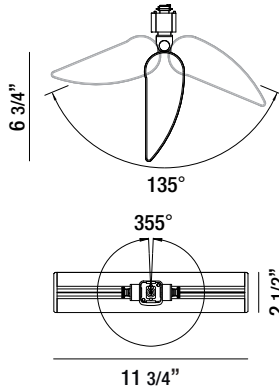
FINISHES



-01 Black



-02 White



ORDERING GUIDE:

MODEL	KELVIN	FINISH
32993	-30 3000K	-01 Black
	-35 3500K	-02 White

EXAMPLE: 32993-30-01



DIPPER

Dipper series commonly used in walkway, ceiling, wallwash or shelf lighting. Provides economical lighting solution.

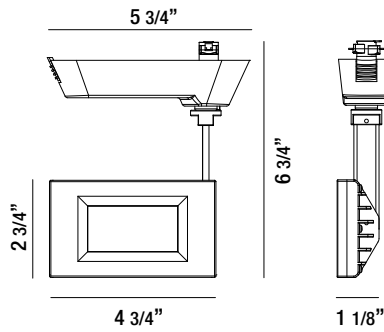


29670 10W LED TRACK HEAD

WATTS	LUMENS	KELVIN	DIMMABLE	CRI	BEAM ANGLE	VERTICAL ROTATION	HORIZONTAL ROTATION
10W	800LM	3000K	TRIAC	80+	120°	90°	340°



- Constructed of die cast aluminum
- Powder coated finish, available in white and black finish
- Adjustable direction suit different application requirements
- Eurofase track fixtures are compatible with most brands configured to Halo track system design



FINISHES



-017 White

-024 Black

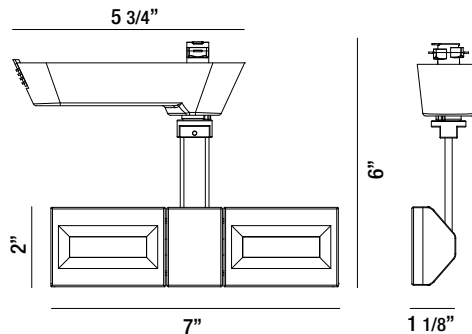


29672 10W 2-LIGHT LED TRACK HEAD

WATTS	LUMENS	KELVIN	DIMMABLE	CRI	BEAM ANGLE	VERTICAL ROTATION	HORIZONTAL ROTATION
10W	800LM	3000K	TRIAC	80+	120°	90°	340°



- Constructed of die cast aluminum
- Powder coated finish, available in white and black finish
- Adjustable direction suit different application requirements
- Eurofase track fixtures are compatible with most brands configured to Halo track system design



FINISHES



-011 White

-028 Black



27996 10W LED TRACK HEAD

WATTS	LUMENS	KELVIN	DIMMABLE	CRI	BEAM ANGLE	VERTICAL ROTATION	HORIZONTAL ROTATION
10W	800LM	3000K	TRIAC	80+	90°	90°	340°



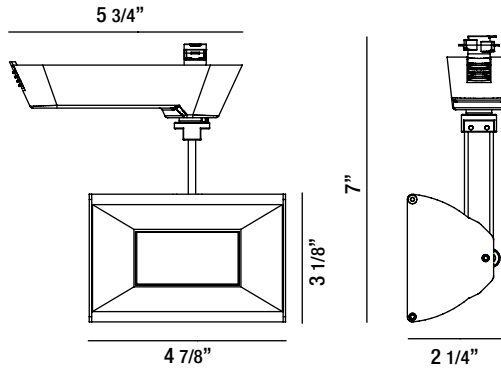
- Constructed of extruded aluminum
- Powder coated finish, available in white and black finish
- Adjustable direction suit different application requirements
- Eurofase track fixtures are compatible with most brands configured to Halo track system design

FINISHES



-010 White

-027 Black





29006 9W 1-LIGHT LED TRACK HEAD

WATTS	LUMENS	KELVIN	DIMMABLE	CRI	BEAM ANGLE	VERTICAL ROTATION	HORIZONTAL ROTATION
9W	640LM	3000K	TRIAC	80+	120°	90°	340°

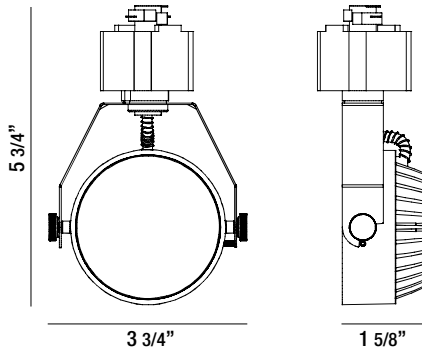


- Constructed of die cast aluminum
- Powder coated finish, available in white finish
- Adjustable direction suit different application requirements
- Eurofase track fixtures are compatible with most brands configured to Halo track system design

FINISHES



-014 White



29008 18W 2-LIGHT LED TRACK HEAD

WATTS	LUMENS	KELVIN	DIMMABLE	CRI	BEAM ANGLE	VERTICAL ROTATION	HORIZONTAL ROTATION
2 X 9W	1250LM	3000K	TRIAC	80+	120°	90°	340°

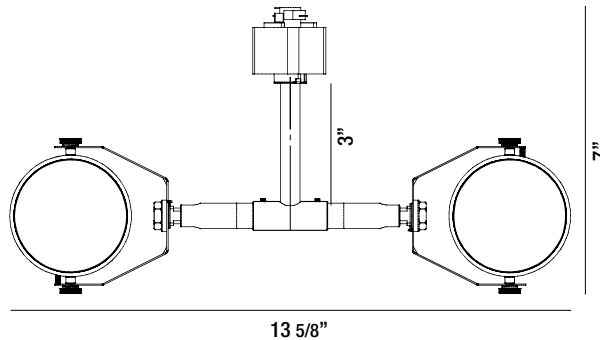


- Constructed of die cast aluminum
- Powder coated finish, available in white finish
- Adjustable direction suit different application requirements
- Eurofase track fixtures are compatible with most brands configured to Halo track system design

FINISHES



-018 White





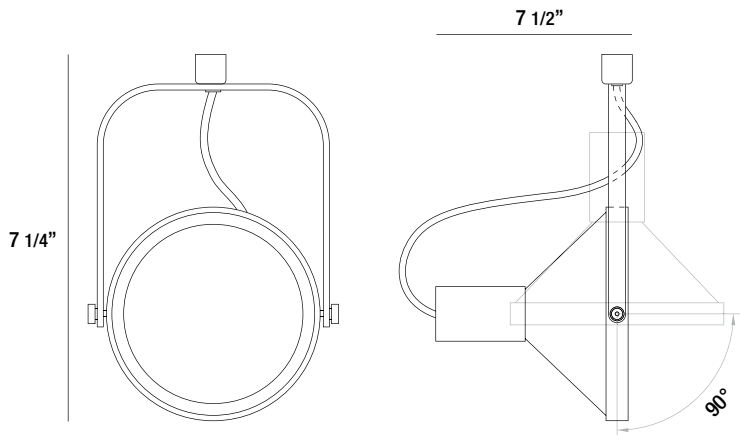
MODULAR TRACK LIGHTING



TK-HGP38 150W PAR38 TRACK HEAD

WATTS	BULB TYPE	BULB SOCKET	BEAM ANGLE	VERTICAL ROTATION	HORIZONTAL ROTATION
150W	PAR38	E26	120°	90°	350°

- Powder coated finish, available in white, black, and platinum finish
- Adjustable direction suit different application requirements
- Eurofase track fixtures are compatible with most brands configured to Halo track system design
- Bulb not included



FINISHES



-01 Black

-02 White

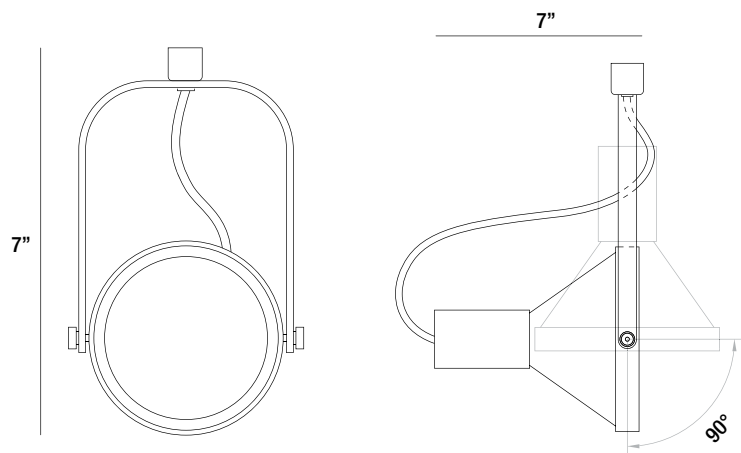
-S5 Platinum



TK-HGP30 75W PAR30 TRACK HEAD

WATTS	BULB TYPE	BULB SOCKET	BEAM ANGLE	VERTICAL ROTATION	HORIZONTAL ROTATION
75W	PAR30	E26	120°	90°	350°

- Powder coated finish, available in white, black, and platinum finish
- Adjustable direction suit different application requirements
- Eurofase track fixtures are compatible with most brands configured to Halo track system design
- Bulb not included



FINISHES



-01 Black

-02 White

-S5 Platinum



TK-HGP20 50W PAR20 TRACK HEAD

WATTS	BULB TYPE	BULB SOCKET	BEAM ANGLE	VERTICAL ROTATION	HORIZONTAL ROTATION
50W	PAR20	E26	120°	90°	350°

- Powder coated finish, available in white, black, and platinum finish
- Adjustable direction suit different application requirements
- Eurofase track fixtures are compatible with most brands configured to Halo track system design
- Bulb not included

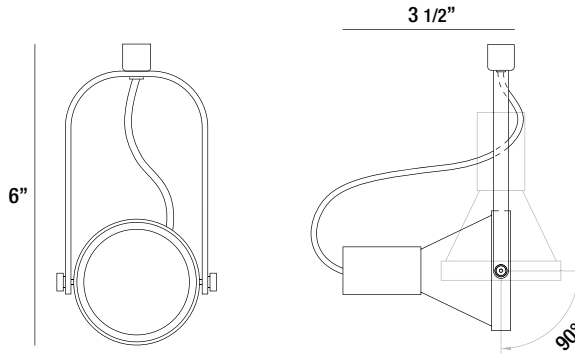
FINISHES



-01 Black

-02 White

-S5 Platinum



23408 50W MR16 TRACK HEAD

WATTS	BULB TYPE	BULB SOCKET	BEAM ANGLE	VERTICAL ROTATION	HORIZONTAL ROTATION
50W	MR16	G5.3	120°	90°	350°

- Finish: available in white, black, and brushed nickel
- Adjustable direction suit different application requirements
- Eurofase track fixtures are compatible with most brands configured to Halo track system design
- Bulb not included

FINISHES

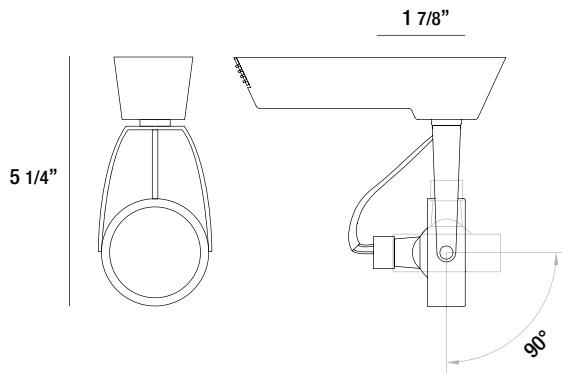


-012 White/White

-029 Black/Black

-036 White /
Brushed Nickel

-044 Black /
Brushed Nickel





23403 150W PAR38 TRACK HEAD

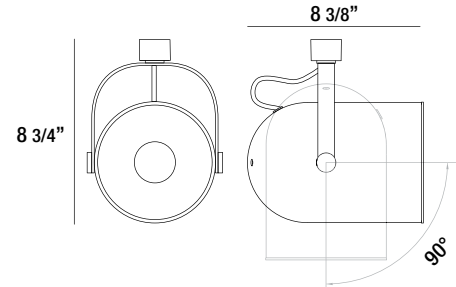
WATTS	BULB TYPE	BULB SOCKET	BEAM ANGLE	VERTICAL ROTATION	HORIZONTAL ROTATION
150W	PAR38	E26	120°	90°	350°

- Powder coated finish, available in white, black, and platinum finish
- Adjustable direction suit different application requirements
- Eurofase track fixtures are compatible with most brands configured to Halo track system design
- Bulb not included

FINISHES



-017 White -024 Black -031 Platinum



23402 75W PAR30 TRACK HEAD

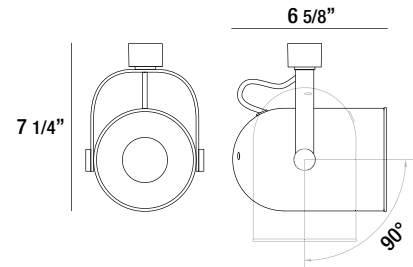
WATTS	BULB TYPE	BULB SOCKET	BEAM ANGLE	VERTICAL ROTATION	HORIZONTAL ROTATION
75W	PAR30	E26	120°	90°	350°

- Powder coated finish, available in white, black, and platinum finish
- Adjustable direction suit different application requirements
- Eurofase track fixtures are compatible with most brands configured to Halo track system design
- Bulb not included

FINISHES



-010 White -027 Black -034 Platinum



23401 50W PAR20 TRACK HEAD

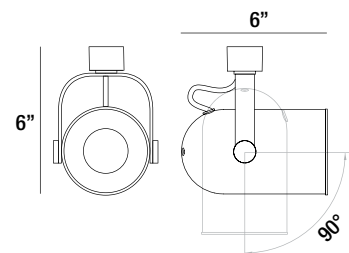
WATTS	BULB TYPE	BULB SOCKET	BEAM ANGLE	VERTICAL ROTATION	HORIZONTAL ROTATION
50W	PAR20	E26	120°	90°	350°

- Powder coated finish, available in white, black, and platinum finish
- Adjustable direction suit different application requirements
- Eurofase track fixtures are compatible with most brands configured to Halo track system design
- Bulb not included

FINISHES



-013 White -020 Black -037 Platinum





29674 9W LED TRACK HEAD

WATTS	LUMENS	KELVIN	DIMMABLE	CRI	BEAM ANGLE	VERTICAL ROTATION	HORIZONTAL ROTATION
9W	700LM	3000K	TRIAC	80+	30°	90°	350°



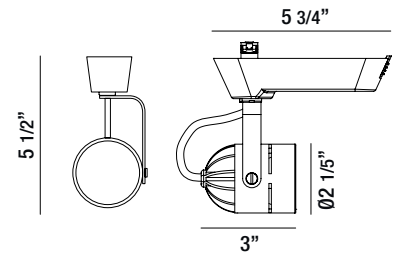
- Constructed of die cast aluminum
- Powder coated finish, available in white and black finish
- Adjustable direction suit different application requirements
- Eurofase track fixtures are compatible with most brands configured to Halo track system design

FINISHES



-015 White

-022 Black



23410 50W MR16 TRACK HEAD

WATTS	BULB TYPE	BULB SOCKET	VERTICAL ROTATION	HORIZONTAL ROTATION
50W	MR16	G5.3	90°	350°

- Finish: available in white, black, and brushed nickel
- Adjustable direction suit different application requirements
- Eurofase track fixtures are compatible with most brands configured to Halo track system design
- Bulb not included

FINISHES

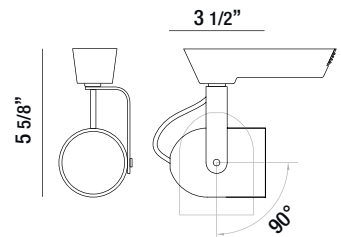


-015 White/White

-022 Black/Black

-039 White /
Brushed Nickel

-045 Black /
Brushed Nickel



23406 50W GU10 TRACK HEAD

WATTS	BULB TYPE	BULB SOCKET	VERTICAL ROTATION	HORIZONTAL ROTATION
50W	GU10	GU10	90°	350°

- Finish: available in white, black, and brushed nickel
- Adjustable direction suit different application requirements
- Eurofase track fixtures are compatible with most brands configured to Halo track system design
- Bulb not included

FINISHES

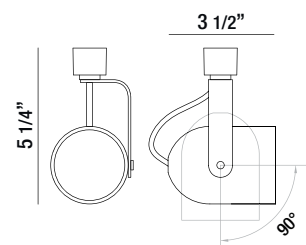


-018 White/White

-025 Black/Black

-032 White /
Brushed Nickel

-038 Black /
Brushed Nickel





29673 9W LED TRACK HEAD



WATTS	LUMENS	KELVIN	DIMMABLE	CRI	BEAM ANGLE	VERTICAL ROTATION	HORIZONTAL ROTATION
9W	700LM	3000K	TRIAC	80+	30°	90°	350°

- Constructed of die cast aluminum
- Powder coated finish, available in white and black finish
- Adjustable direction suit different application requirements
- Eurofase track fixtures are compatible with most brands configured to Halo track system design

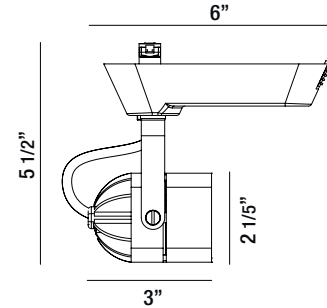
FINISHES



-018 White



-025 Black



23411 50W MR16 TRACK HEAD

WATTS	BULB TYPE	BULB SOCKET	VERTICAL ROTATION	HORIZONTAL ROTATION
50W	MR16	G5.3	90°	350°

- Finish: available in white, black, and brushed nickel
- Adjustable direction suit different application requirements
- Eurofase track fixtures are compatible with most brands configured to Halo track system design
- Bulb not included

FINISHES



-012 White/White



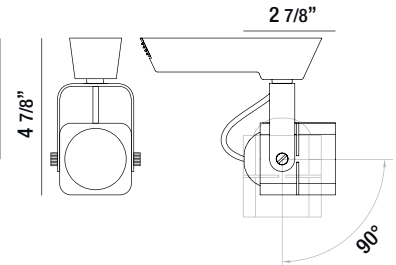
-029 Black/Black



-036 White /
Brushed Nickel



-043 Black /
Brushed Nickel



23405 50W GU10 TRACK HEAD

WATTS	BULB TYPE	BULB SOCKET	VERTICAL ROTATION	HORIZONTAL ROTATION
50W	GU10	GU10	90°	350°

- Finish: available in white, black, and brushed nickel
- Adjustable direction suit different application requirements
- Eurofase track fixtures are compatible with most brands configured to Halo track system design
- Bulb not included

FINISHES



-011 White/White



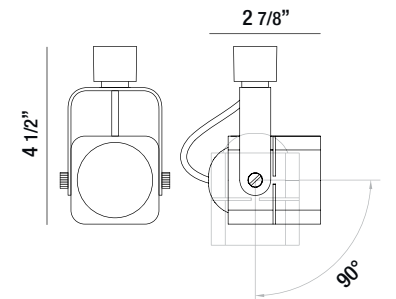
-028 Black/Black



-045 White /
Brushed Nickel



-035 Black /
Brushed Nickel





23412 50W MR16 TRACK HEAD

WATTS	BULB TYPE	BULB SOCKET	VERTICAL ROTATION	HORIZONTAL ROTATION
50W	MR16	G5.3	90°	350°

- Finish: available in white, black, and brushed nickel
- Adjustable direction suit different application requirements
- Eurofase track fixtures are compatible with most brands configured to Halo track system design
- Bulb not included

FINISHES



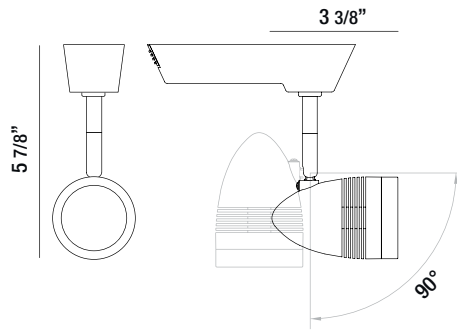
-019 White/White

-026 Black/Black



-033 White /
Brushed Nickel

-038 Black /
Brushed Nickel



23404 50W GU10 TRACK HEAD

WATTS	BULB TYPE	BULB SOCKET	VERTICAL ROTATION	HORIZONTAL ROTATION
50W	GU10	GU10	90°	350°

- Finish: available in white, black, and brushed nickel
- Adjustable direction suit different application requirements
- Eurofase track fixtures are compatible with most brands configured to Halo track system design
- Bulb not included

FINISHES



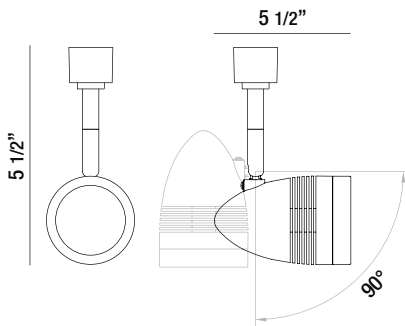
-014 White/White

-021 Black/Black



-038 White /
Brushed Nickel

-042 Black /
Brushed Nickel



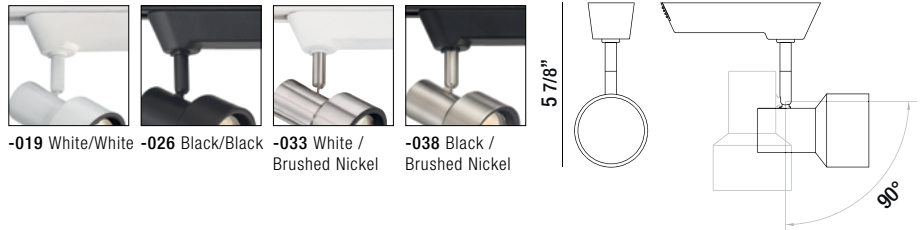


23409 50W MR16 TRACK HEAD

WATTS	BULB TYPE	BULB SOCKET	VERTICAL ROTATION	HORIZONTAL ROTATION
50W	MR16	G5.3	90°	350°

- Finish: available in white, black (powder coated), white/brushed nickel and black/brushed nickel
- Adjustable direction suit different application requirements
- Eurofase track fixtures are compatible with most brands configured to Halo track system design
- Bulb not included

FINISHES

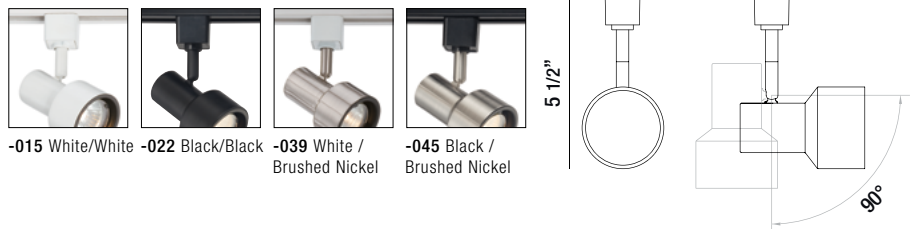


23407 50W GU10 TRACK HEAD

WATTS	BULB TYPE	BULB SOCKET	VERTICAL ROTATION	HORIZONTAL ROTATION
50W	GU10	GU10	90°	350°

- Finish: available in white, black (powder coated), white/brushed nickel and black/brushed nickel
- Adjustable direction suit different application requirements
- Eurofase track fixtures are compatible with most brands configured to Halo track system design
- Bulb not included

FINISHES

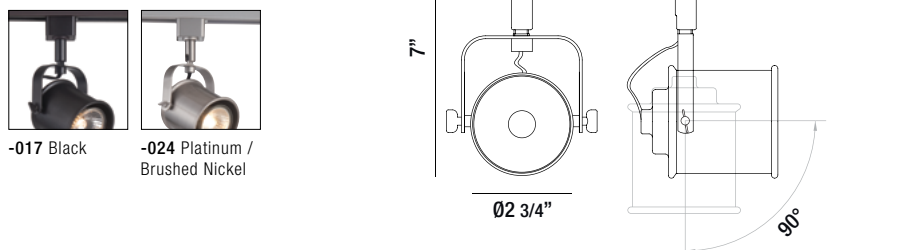


23359 50W GU10 TRACK HEAD

WATTS	BULB TYPE	BULB SOCKET	VERTICAL ROTATION	HORIZONTAL ROTATION
50W	GU10	GU10	90°	350°

- Finish available in black (powder coated) and platinum/brushed nickel finish
- Adjustable direction suit different application requirements
- Eurofase track fixtures are compatible with most brands configured to Halo track system design
- Bulb not included

FINISHES





33218 6W LED TRACK HEAD

WATTS	LUMENS	KELVIN	DIMMABLE	CRI	BEAM ANGLE	VERTICAL ROTATION	HORIZONTAL ROTATION
6W	500LM	3000K	TRIAC	80+	60°	90°	350°

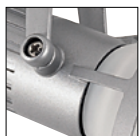


- Constructed of die cast aluminum
- Powder coated finish, available in white and satin nickel with frosted lens
- Adjustable direction suit different application requirements
- Eurofase track fixtures are compatible with most brands configured to Halo track system design

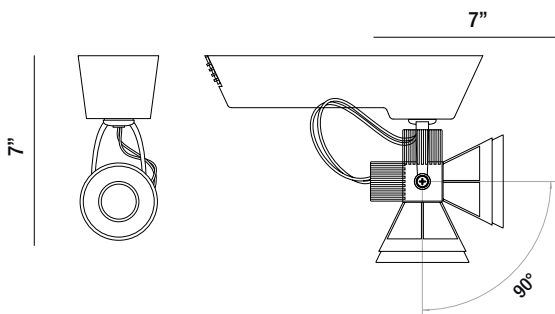
FINISHES



-02 White/Frost



-34 Satin Nickel/Frost



TK-1VTX3 50W GU10 TRACK HEAD

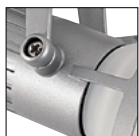
WATTS	BULB TYPE	BULB SOCKET	VERTICAL ROTATION	HORIZONTAL ROTATION
50W	GU10	GU10	90°	350°

- Available in white and satin nickel with frosted lens
- Adjustable direction suit different application requirements
- Eurofase track fixtures are compatible with most brands configured to Halo track system design
- Bulb is included

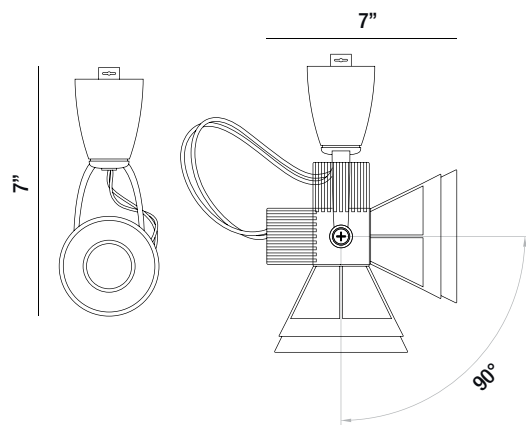
FINISHES



-02 White/Frost



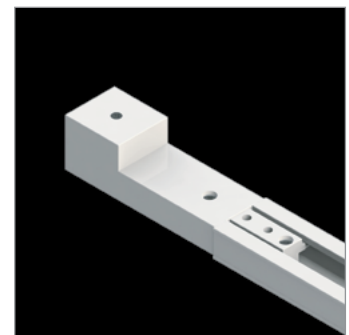
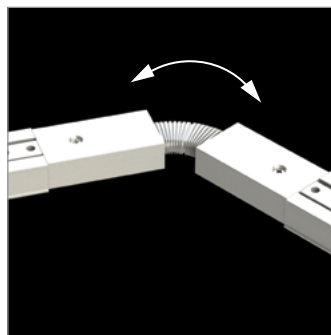
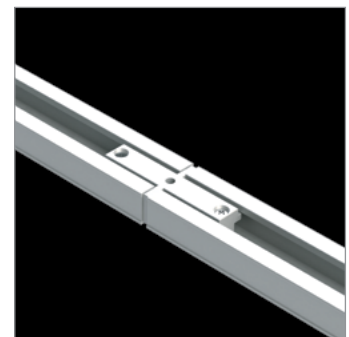
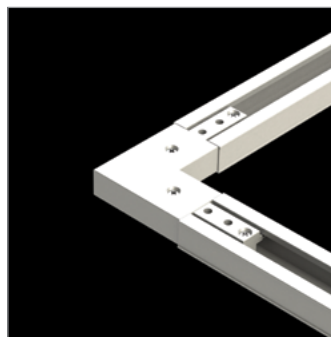
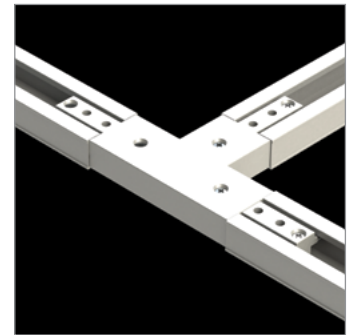
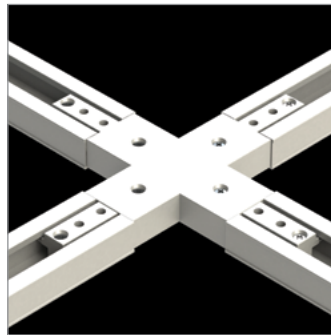
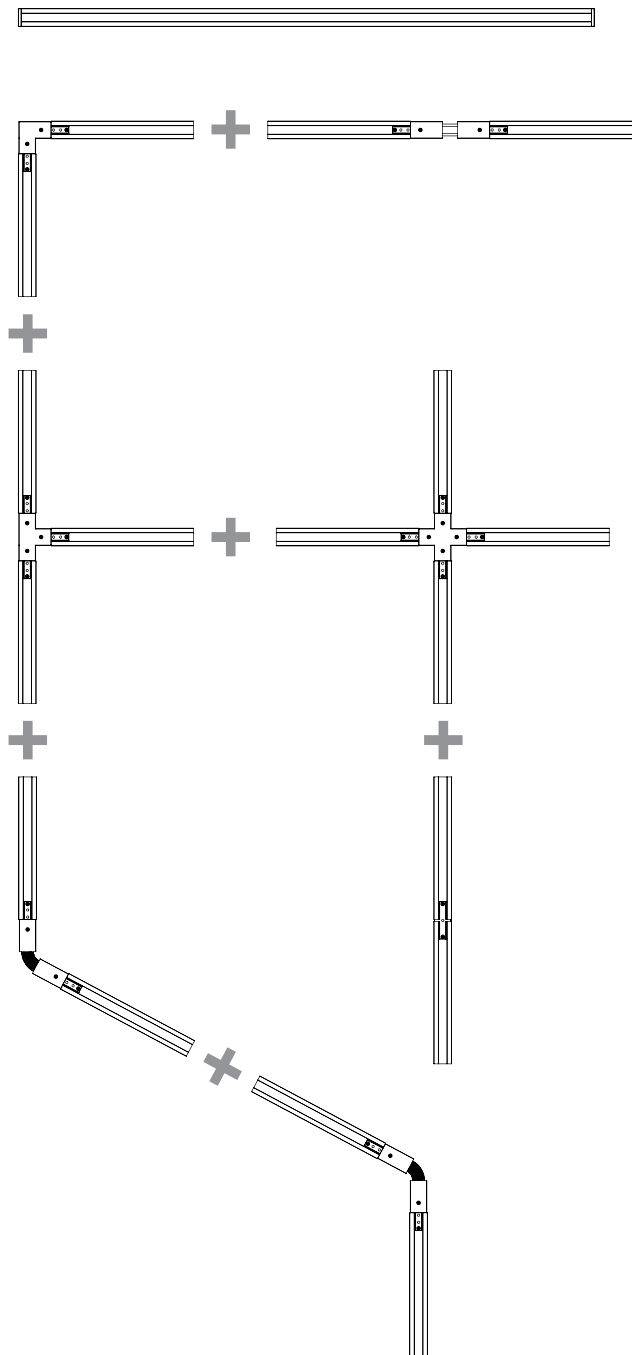
-34 Satin Nickel/Frost



TRACK ACCESSORIES

MODULAR TRACK

- Versatile and adaptable, modular lighting allows you to configure a lighting scheme that is custom configured to your needs
- Feature all adjustability for aiming in any direction
- Field-cutable track sections are combined with feeds and joiners making virtually any configuration possible



TRACK

- Single circuit track, 3-conductor, 20A maximum per circuit
- Can be surface mounted on walls or ceilings
- Field cuttable to desired length
- Use components to build any desired configuration
- Includes 2 dead-end covers

1002 2-FOOT TRACK

PRODUCT DETAILS

LENGTH: 24"
 WIDTH: 1.5"
 HEIGHT: 0.75"
 EST. WEIGHT: 1.12 lbs



1004 4-FOOT TRACK

PRODUCT DETAILS

LENGTH: 48"
 WIDTH: 1.5"
 HEIGHT: 0.75"
 EST. WEIGHT: 1.8 lbs



1008 8-FOOT TRACK

PRODUCT DETAILS

LENGTH: 96"
 WIDTH: 1.5"
 HEIGHT: 0.75"
 EST. WEIGHT: 3.48 lbs



-01 Black

-02 White

-S5 Platinum



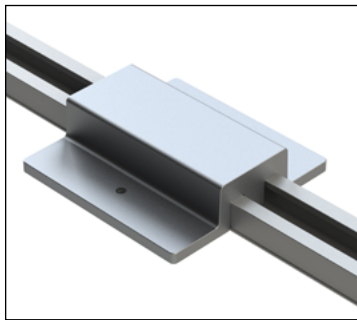
FLOATING CANOPY

- Mounts on any point along the track
- Feeds power and covers outlet box

1615

PRODUCT DETAILS

EST. WEIGHT: 0.5 lbs



-01 Black



-02 White



-S5 Platinum

TRACK ACCESSORIES

LIVE END CONNECTOR

- For feeding track mounted flush to surface without outlet box or canopy

1510

PRODUCT DETAILS

EST. WEIGHT: 0.18 lbs



-S5 Platinum



-01 Black



-02 White

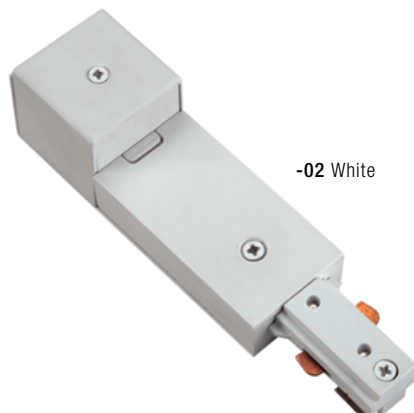
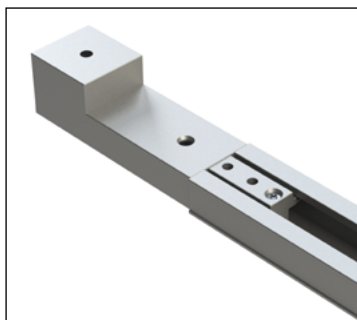
LIVE END CONDUIT

- Use with appropriate electrical conduit connector to feed power at track end
- Can be fed from the back or top

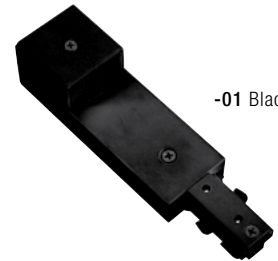
1617

PRODUCT DETAILS

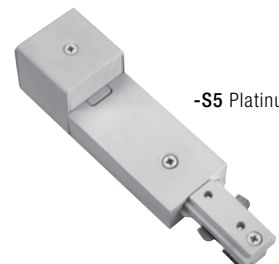
EST. WEIGHT: 0.36 lbs



-02 White



-01 Black



-S5 Platinum

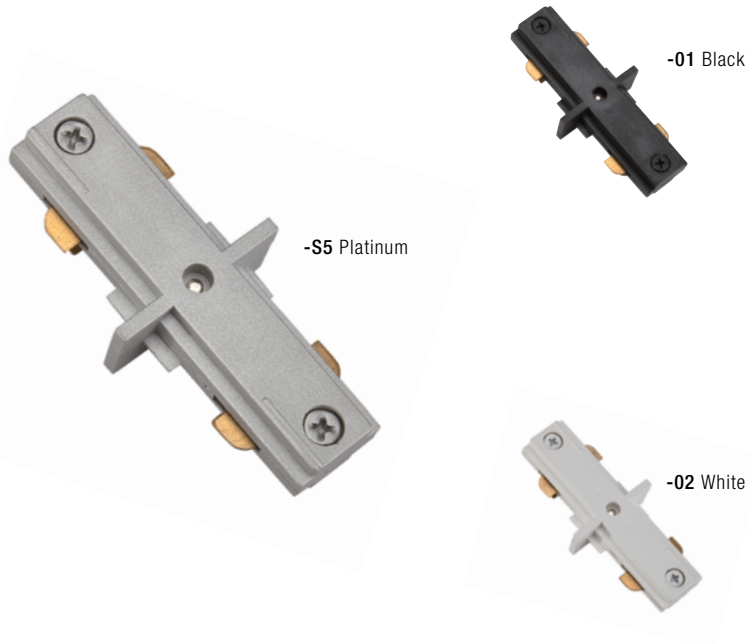
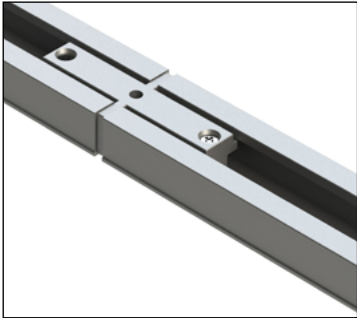
MINI CONNECTOR

- Joins two tracks mechanically and electrically
- Power cannot be fed.

1560

PRODUCT DETAILS

EST. WEIGHT: 0.09 lbs



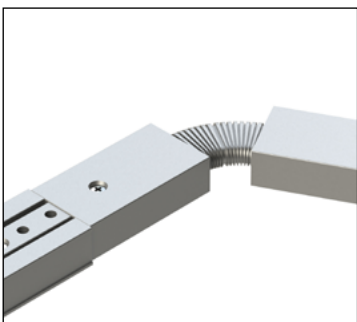
FLEXIBLE CONNECTOR

- For joining two tracks in a variable angle
0 to 90 degrees and feeding power

1570

PRODUCT DETAILS

EST. WEIGHT: 0.43 lbs



TRACK ACCESSORIES

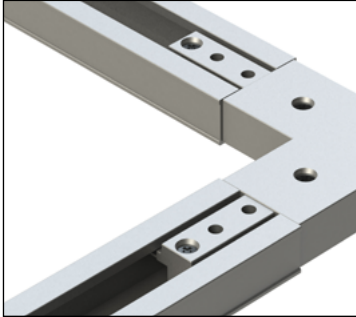
L CONNECTOR

- For joining two tracks at a 90 degree angle and feeding power
- Allows independent feed or same circuit
- Polarized and pre-wired

1530

PRODUCT DETAILS

EST. WEIGHT: 0.31 lbs



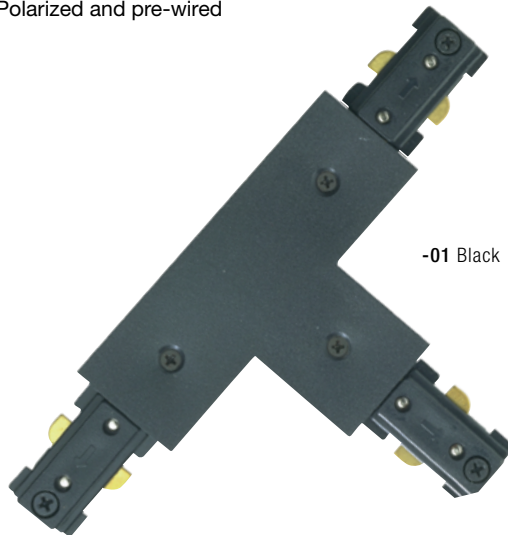
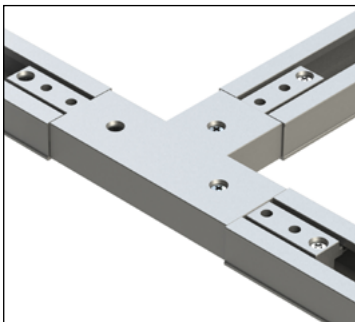
T CONNECTOR

- For joining three tracks in "T" configuration and feeding power
- Allows independent feed or same circuit. Polarized and pre-wired

1540

PRODUCT DETAILS

EST. WEIGHT: 0.44 lbs



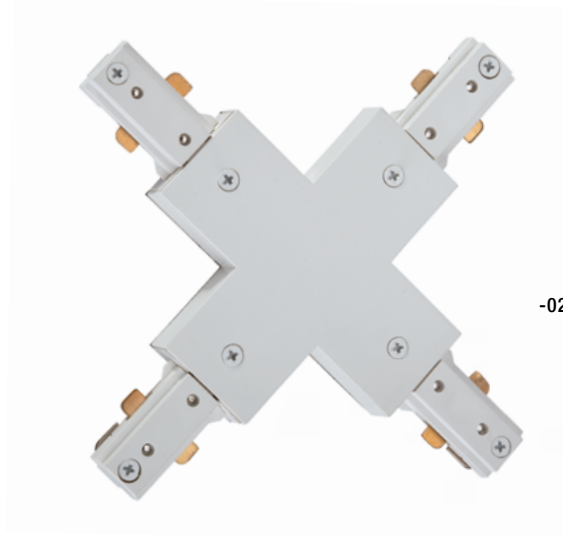
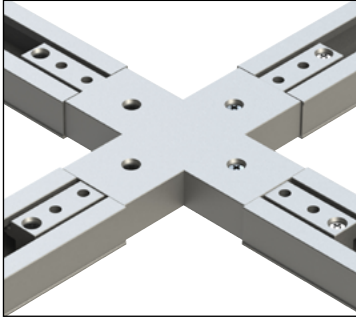
X CONNECTOR

- For joining three tracks in an "X" configuration and feeding power
- Allows independent feed or same circuit
- Polarized and pre-wired

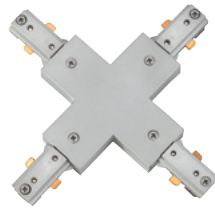
1550

PRODUCT DETAILS

EST. WEIGHT: 0.55 lbs



-02 White



-S5 Platinum



-01 Black

PENDANT TRACK ADAPTOR

- Cable option 10 lbs max.
- Chain option 25 lbs max.
- Quick connects included

ADP

PRODUCT DETAILS

LENGTH: 1.5"
 WIDTH: 1.5"
 HEIGHT: 3.75"
 EST. WEIGHT: 0.18 lbs



ADPWH White



ADPBL Black



ADPPL Platinum



29007 9W LED 2-IN-1 1LT PENDANT / FLUSHMOUNT

WATTS	TOTAL LUMENS	KELVIN	DIMMABLE	CRI	BEAM ANGLE	VERTICAL ROTATION	HORIZONTAL ROTATION
9W	640LM	3000K	TRIAC	80+	120°	90°	340°



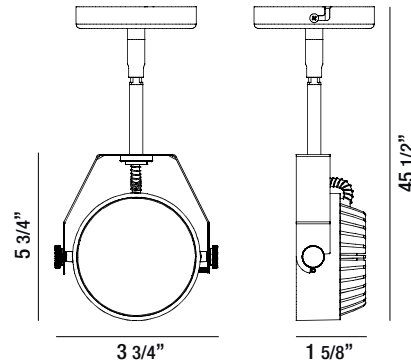
- Constructed of die cast aluminum
- Finish: available in white and satin nickel
- Adjustable direction suit different application requirements
- 9W integrated LED TRIAC Dimming. For 0-10V and alternate dimming options consult Eurofase

FINISHES



-011 White

-028 Satin Nickel



29009 18W LED 2-IN-1 2LT PENDANT / FLUSHMOUNT

WATTS	TOTAL LUMENS	KELVIN	DIMMABLE	CRI	BEAM ANGLE	VERTICAL ROTATION	HORIZONTAL ROTATION
2 X 9W	1250LM	3000K	TRIAC	80+	120°	90°	340°



- Constructed of die cast aluminum
- Finish: available in white and satin nickel
- Adjustable direction suit different application requirements
- 2 x 9W integrated LED TRIAC Dimming. For 0-10V and alternate dimming options consult Eurofase

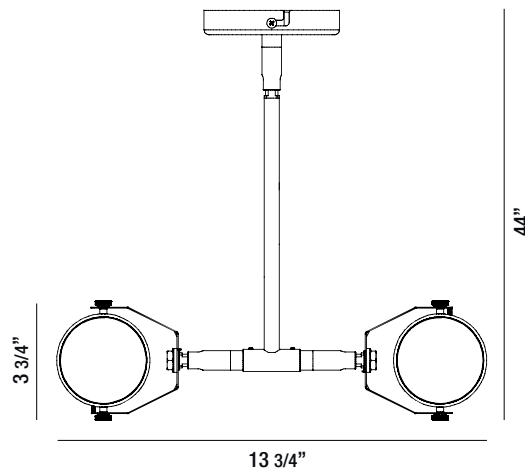


FINISHES



-015 White

-022 Satin Nickel



29010 45W LED 4+1 LIGHT CROSS TRACK



WATTS	TOTAL LUMENS	KELVIN	DIMMABLE	CRI	BEAM ANGLE	VERTICAL ROTATION	HORIZONTAL ROTATION
5 X 9W	3200LM	3000K	TRIAC	80+	120°	90°	340°



- Constructed of die cast aluminum
- Finish: available in white and satin nickel
- Adjustable direction suit different application requirements
- 5 x 9W integrated LED TRIAC Dimming. For 0-10V and alternate dimming options consult Eurofase

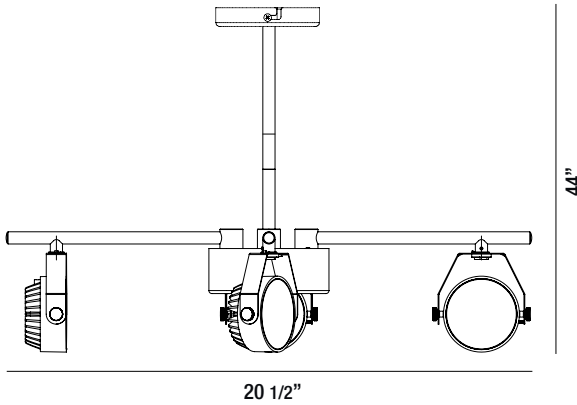
FINISHES



-011 White



-028 Satin Nickel



30342 45W LED 4+1 LIGHT LINEAR TRACK



WATTS	TOTAL LUMENS	KELVIN	DIMMABLE	CRI	BEAM ANGLE	VERTICAL ROTATION	HORIZONTAL ROTATION
5 X 9W	3200LM	3000K	TRIAC	80+	120°	90°	340°



- Constructed of die cast aluminum
- Finish: available in white and satin nickel
- Adjustable direction suit different application requirements
- 5 x 9W integrated LED TRIAC Dimming. For 0-10V and alternate dimming options consult Eurofase

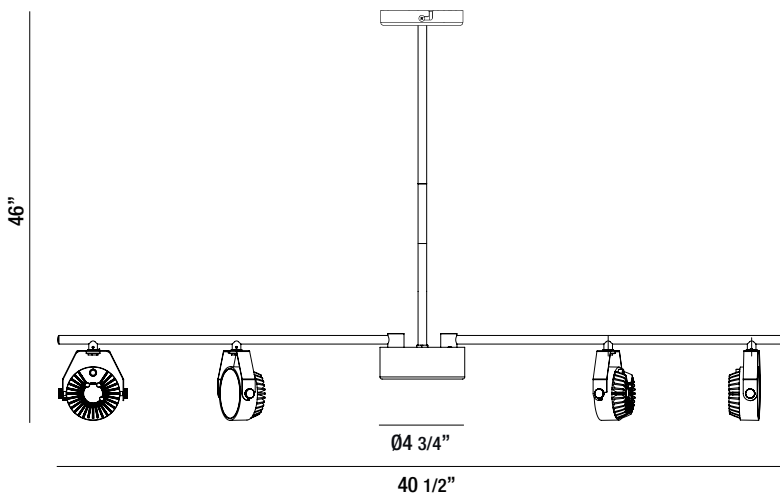
FINISHES



-019 White



-026 Satin Nickel



FIXED TRACK





32753 18W LED 3-LIGHT FLUSHMOUNT

WATTS	TOTAL LUMENS	KELVIN	DIMMABLE	CRI	BEAM ANGLE	VERTICAL ROTATION	HORIZONTAL ROTATION
3 X 6W	1500LM	3000K	TRIAC	80+	60°	90°	350°

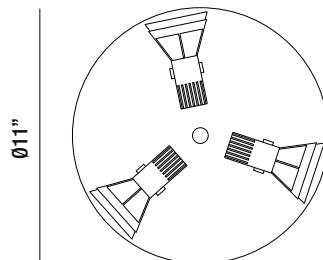
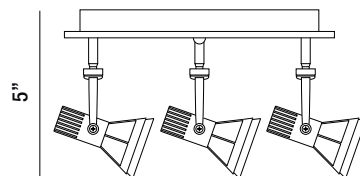


- Constructed of die cast aluminum
- Finish available in satin nickel with frosted lens
- Adjustable direction suit different application requirements
- 3 x 6W integrated LED TRIAC Dimming. For 0-10V and alternate dimming options consult Eurofase

FINISHES



-011 Satin Nickel/Frost





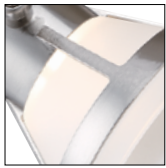
32754 18W LED 3-LIGHT TRACK

WATTS	TOTAL LUMENS	KELVIN	DIMMABLE	CRI	BEAM ANGLE	VERTICAL ROTATION	HORIZONTAL ROTATION
3 X 6W	1500LM	3000K	TRIAC	80+	60°	90°	350°

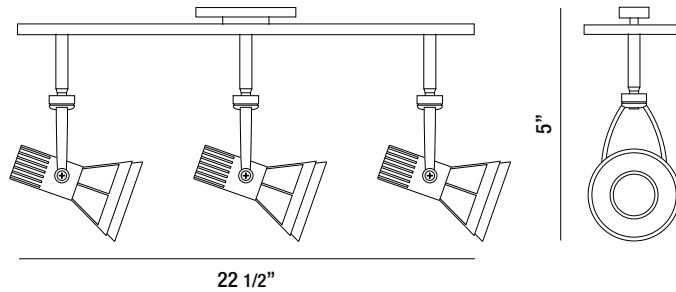


- Constructed of die cast aluminum
- Finish available in satin nickel with frosted lens
- Adjustable direction suit different application requirements
- 3 x 6W integrated LED TRIAC Dimming. For 0-10V and alternate dimming options consult Eurofase

FINISHES



-018 Satin Nickel/Frost



32755 30W LED 5-LIGHT TRACK

WATTS	TOTAL LUMENS	KELVIN	DIMMABLE	CRI	BEAM ANGLE	VERTICAL ROTATION	HORIZONTAL ROTATION
5 X 6W	2500LM	3000K	TRIAC	80+	60°	90°	350°

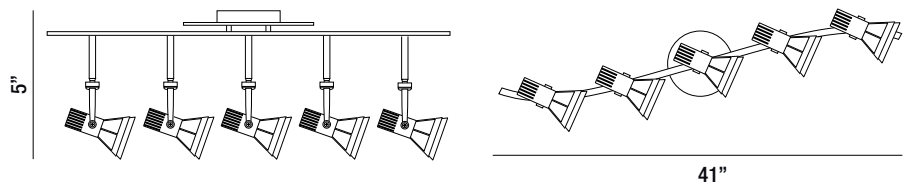


- Constructed of die cast aluminum
- Finish available in satin nickel with frosted lens
- Adjustable direction suit different application requirements
- 5 x 6W integrated LED TRIAC Dimming. For 0-10V and alternate dimming options consult Eurofase

FINISHES



-015 Satin Nickel/Frost



FIXED TRACK





TK-5VTX3 50W GU10 5-LIGHT TRACK

WATTS	BULB TYPE	BULB SOCKET	VERTICAL ROTATION	HORIZONTAL ROTATION
5 X 50W	GU10	GU10	90°	350°

- Finish: available in white and satin nickel with frosted lens
- Adjustable direction suit different application requirements
- Bulb is included

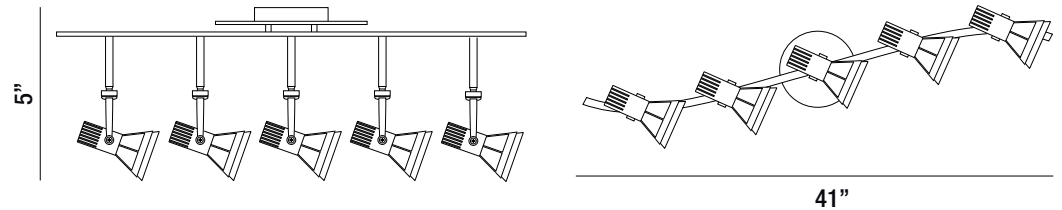
FINISHES



-02 White/Frost



-34 Satin Nickel / Frost



TK-3VTX3 50W GU10 3-LIGHT TRACK

WATTS	BULB TYPE	BULB SOCKET	VERTICAL ROTATION	HORIZONTAL ROTATION
3 X 50W	GU10	GU10	90°	350°

- Finish: available in white, and satin nickel with frosted lens
- Adjustable direction suit different application requirements
- Bulb is included



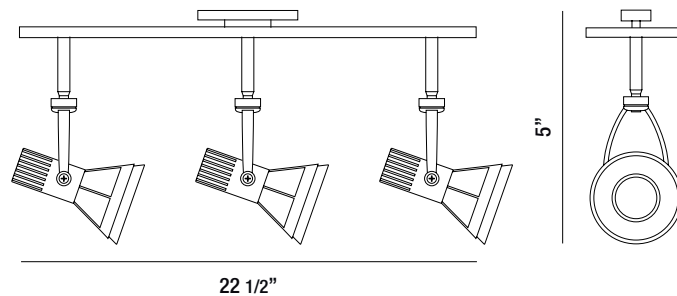
FINISHES



-02 White/Frost



-34 Satin Nickel / Frost



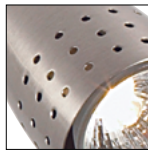


13733 50W GU10 3-LIGHT TRACK

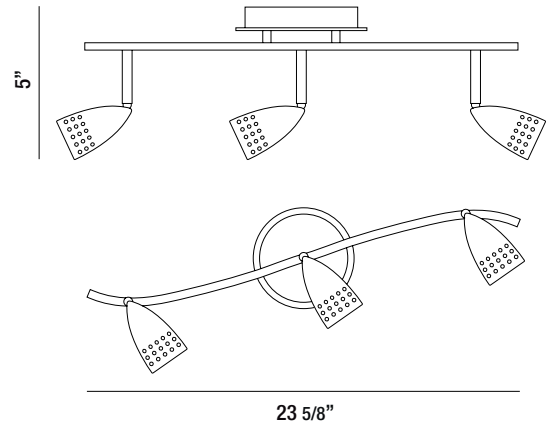
WATTS	BULB TYPE	BULB SOCKET	VERTICAL ROTATION	HORIZONTAL ROTATION
3 X 50W	GU10	GU10	90°	350°

- Finish available in satin nickel
- Adjustable direction suit different application requirements
- Bulb is included

FINISHES



-018 Satin Nickel



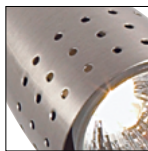
13732 50W GU10 3-LIGHT FLUSHMOUNT

WATTS	BULB TYPE	BULB SOCKET	VERTICAL ROTATION	HORIZONTAL ROTATION
3 X 50W	GU10	GU10	90°	350°

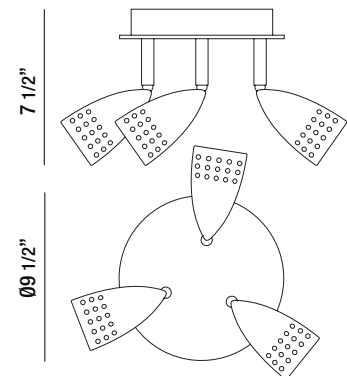


- Finish available in satin nickel
- Adjustable direction suit different application requirements
- Bulb is included

FINISHES

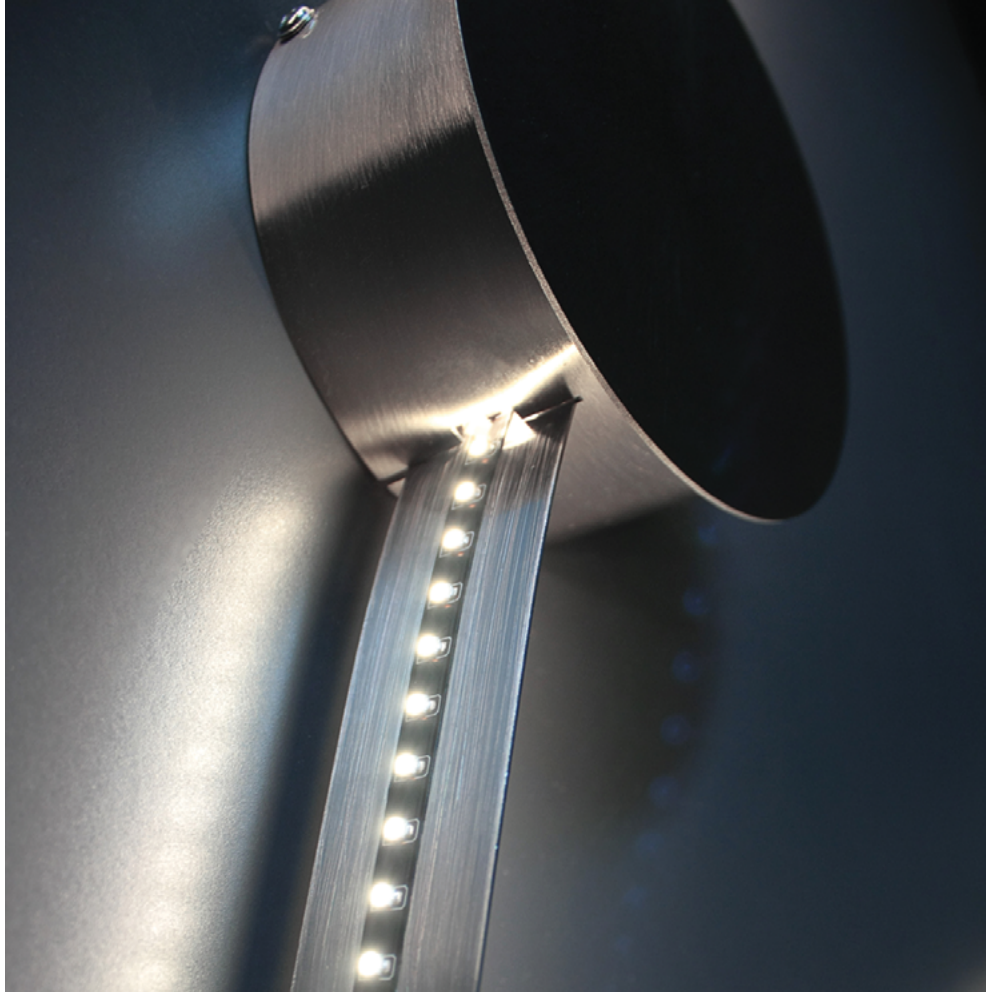


-011 Satin Nickel



FIXED TRACK





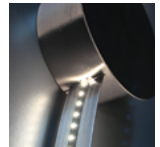
30099 ZZEN, 32W DOUBLE SIDED LED FLEXIBLE TRACK

WATTS	TOTAL LUMENS	KELVIN	DIMMABLE	CRI	BEAM ANGLE
32W	1760LM	3000K	TRIAC	80+	30°

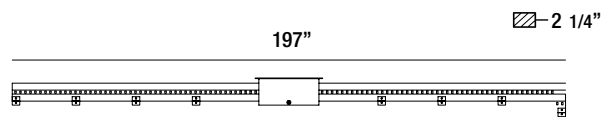
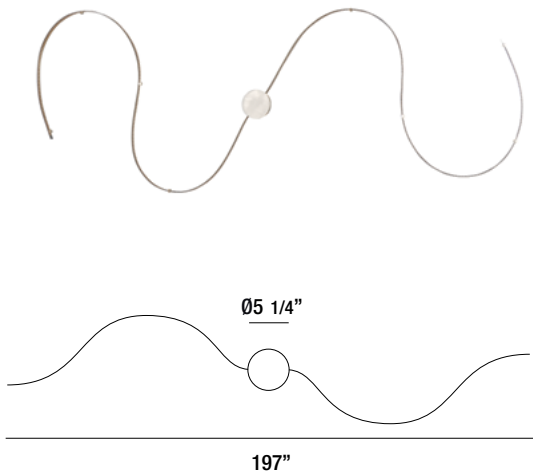


- Constructed of stainless steel
- Adjustable direction suit different application requirements
- Lumens output at both sides

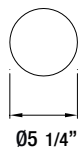
FINISHES



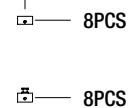
-012 Satin Nickel



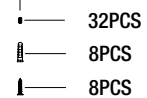
Canopy



Anchor



Screw



MODEL #	PAGE #	MODEL #	PAGE #	MODEL #	PAGE #	MODEL #	PAGE #
1002-01	45	23406-032	39	30342-026	51	32987-40-01	23
1002-02	45	23406-038	39	32360-30-01	11	32987-40-02	23
1002-S5	45	23407-015	42	32360-30-02	11	32988-30-01	23
1004-01	45	23407-022	42	32360-35-01	11	32988-30-02	23
1004-02	45	23407-039	42	32360-35-02	11	32988-35-01	23
1004-S5	45	23407-045	42	32361-30-01	10	32988-35-02	23
1008-01	45	23408-012	37	32361-30-02	10	32989-30-01	25
1008-02	45	23408-029	37	32361-35-01	10	32989-30-02	25
1008-S5	45	23408-036	37	32361-35-02	10	32989-35-01	25
13732-011	55	23408-044	37	32362-30-01	10	32989-35-02	25
13733-018	55	23409-019	42	32362-30-02	10	32989-40-01	25
1510-01	46	23409-026	42	32362-35-01	10	32989-40-02	25
1510-02	46	23409-033	42	32362-35-02	10	32990-30-01	24
1510-S5	46	23409-038	42	32363-30-01	12	32990-30-02	24
1530-01	48	23410-015	39	32363-30-02	12	32990-35-01	24
1530-02	48	23410-022	39	32363-35-01	12	32990-35-02	24
1530-S5	48	23410-039	39	32363-35-02	12	32991-30-01	24
1540-01	48	23410-045	39	32364-30-01	12	32991-30-02	24
1540-02	48	23411-012	40	32364-30-02	12	32991-35-01	24
1540-S5	48	23411-029	40	32364-35-01	12	32991-35-02	24
1550-01	49	23411-036	40	32364-35-02	12	32992-35-02	28
1550-02	49	23411-043	40	32365-30-01	13	32993-30-01	31
1550-S5	49	23412-019	41	32365-30-02	13	32993-30-02	31
1560-01	47	23412-026	41	32365-35-01	13	32993-35-01	31
1560-02	47	23412-033	41	32365-35-02	13	32993-35-02	31
1560-S5	47	23412-038	41	32366-30-01	13	32995-015	19
1570-01	47	27996-010	33	32366-30-02	13	32996-012	19
1570-02	47	27996-027	33	32366-35-01	13	32997-019	19
1570-S5	47	29006-014	34	32366-35-02	13	32998-016	19
1615-01	45	29007-011	50	32366-40-01	13	33218-02	43
1615-02	45	29007-028	50	32366-40-02	13	33218-34	43
1615-S5	45	29008-018	34	32367-30-01	21	35455-30-01	8
1617-01	46	29009-015	50	32367-30-02	21	35455-30-02	8
1617-02	46	29009-022	50	32367-35-01	21	35455-35-01	8
1617-S5	46	29010-011	51	32367-35-02	21	35455-35-02	8
23346-017	28	29010-028	51	32368-30-01	21	35456-30-01	8
23348-35-02	29	29670-017	32	32368-30-02	21	35456-30-02	8
23348-40-02	29	29670-024	32	32368-35-01	21	35456-35-01	8
23350-014	29	29672-011	32	32368-35-02	21	35456-35-02	8
23359-017	42	29672-028	32	32753-011	52	35457-30-01	9
23359-024	42	29673-018	40	32754-018	53	35457-30-02	9
23401-013	38	29673-025	40	32755-015	53	35457-35-01	9
23401-020	38	29674-015	39	32983-35-3-01	17	35457-35-02	9
23401-037	38	29674-022	39	32983-35-3-02	17	ADPBL	49
23402-010	38	29676-30-01	15	32984-35-3-01	17	ADPPL	49
23402-027	38	29676-30-02	15	32984-35-3-02	17	ADPWH	49
23402-034	38	29676-35-01	15	32985-30-01	22	TK-1VTX3-02	43
23403-017	38	29676-35-02	15	32985-30-02	22	TK-1VTX3-34	43
23403-024	38	29676-40-01	15	32985-35-01	22	TK-3VTX3-02	54
23403-031	38	29676-40-02	15	32985-35-02	22	TK-3VTX3-34	54
23404-014	41	29678-30-01	15	32985-40-01	22	TK-5VTX3-02	54
23404-021	41	29678-30-02	15	32985-40-02	22	TK-5VTX3-34	54
23404-038	41	29678-35-01	15	32986-30-01	22	TK-HGP20-01	37
23404-042	41	29678-35-02	15	32986-30-02	22	TK-HGP20-02	37
23405-011	40	29680-30-01	14	32986-35-01	22	TK-HGP20-S5	37
23405-028	40	29680-30-02	14	32986-35-02	22	TK-HGP30-01	36
23405-035	40	29680-35-01	14	32987-30-01	23	TK-HGP30-02	36
23405-045	40	29680-35-02	14	32987-30-02	23	TK-HGP30-S5	36
23406-018	39	30099-012	57	32987-35-01	23	TK-HGP38-01	36
23406-025	39	30342-019	51	32987-35-02	23	TK-HGP38-02	36
						TK-HGP38-S5	36



Viewing platform >

Fire exit →

integrated



Eurofase Inc.
33 West Beaver Creek Road
Richmond Hill, Ontario
Canada L4B 1L8

tel 905.695.2055 toll free 1.800.660.5391
fax 905.695.2056 toll free 1.800.660.5390

Dallas Trade Mart
Eurofase Showroom, Suite #4002

www.eurofase.com



Printed in Canada
© 2019 Eurofase Inc. All rights reserved.
Product Specifications and Approvals

Eurofase Inc. reserves the right to make alterations to the construction and design of products shown in this catalog in order to meet the laws or regulations of any authorized governing organization. The use of products shown in this catalog must comply with local building codes.