

1002, 2-FOOT EUROFASE TRACK



PRODUCT DETAILS

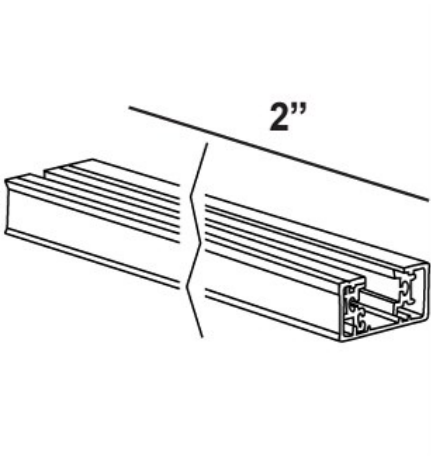
| | | |
|---------------|---|---------|
| No. | : | 1002-01 |
| Product Color | : | BLACK |
| Length | : | 24" |
| Width | : | 1.5" |
| Height | : | 0.75" |

TECHNICAL DETAILS

| | | |
|----------|---|---|
| Approval | : |  |
|----------|---|---|

OPTIONS AVAILABLE

| ITEM NO. | FINISH | SHADE |
|----------|----------|-------|
| 1002-01 | BLACK | |
| 1002-02 | WHITE | |
| 1002-S5 | PLATINUM | |



PROJECT INFORMATION

Job Name: Date: Type:

Comments: