

19596, TRIM, 3 1/4IN SQUARE REGRESS



PRODUCT DETAILS

| | | |
|---------------|---|----------|
| No. | : | 19596-02 |
| Product Color | : | WHITE |
| Length | : | 4.25" |
| Width | : | 4.25" |
| Height | : | 2" |


LIGHT SOURCE DETAILS

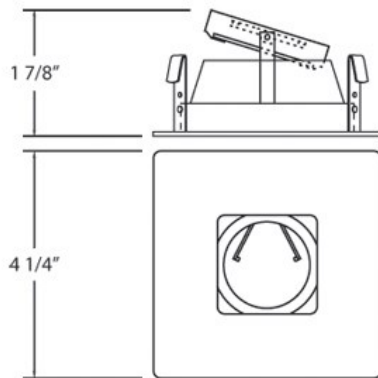
| | | |
|-------------------|---|-------------------|
| Number of Bulbs | : | 1 / 1 |
| Light Source | : | Halogen / Halogen |
| Light Source Type | : | MR16 / GU10 |
| Input Voltage | : | 120 / 120V |
| Bulb Voltage | : | 12 / 120V |
| Socket Type | : | / |
| Wattage | : | 50 / 50W |
| Total Wattage | : | 50 / 50W |
| Bulb Included | : | No / No |
| Dimmable | : | Yes / Yes |

OPTIONS AVAILABLE

| ITEM NO. | FINISH | SHADE |
|----------|---------------|-------|
| 19596-02 | WHITE | |
| 19596-03 | GOLD | |
| 19596-04 | SATIN NICKEL | |
| 19596-05 | CHROME | |
| 19596-06 | ANTIQUÉ BRASS | |
| 19596-08 | SATIN COPPER | |
| 19596-09 | BRONZE | |

TECHNICAL DETAILS

| | | |
|----------------------|---|---|
| Light Direction | : | Down |
| Adjustable Lamp Head | : | No |
| Approval | : |  |
| Cut Hole Diameter | : | 3.5" |



PROJECT INFORMATION

 Job Name: Date: Category:

 Comments: