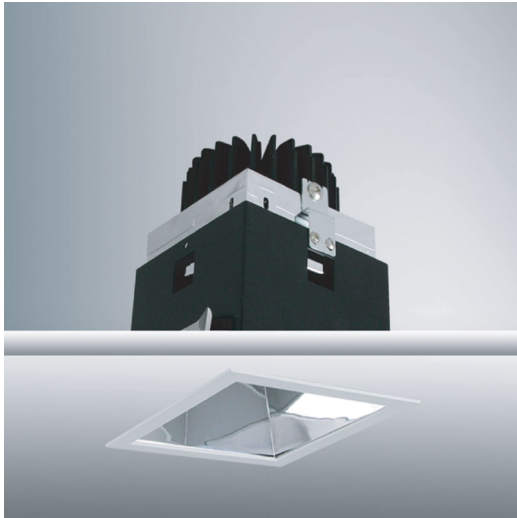


21968, 4-INCH SQUARE ARCHITECTURAL RECESSED, 15W LED



PRODUCT DETAILS

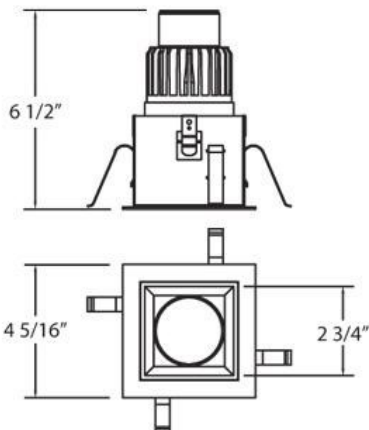
| | | |
|-----------------------|---|-----------|
| No. | : | 21968-013 |
| Product Color | : | CHROME |
| Shade / Accent Colour | : | WHITE |
| Length | : | 4.3125" |
| Width | : | 4.3125" |
| Height | : | 6.5" |

LIGHT SOURCE DETAILS


| | | |
|-------------------|---|----------------|
| Light Source Type | : | INTEGRATED LED |
| Input Voltage | : | 120V |
| Bulb Voltage | : | 120V |
| Socket Type | : | LED |
| Total Wattage | : | 15W |
| Initial Lumens | : | 1290lm |
| Kelvin | : | 3000K |
| CRI | : | 85 |
| Dimmable | : | Yes |

OPTIONS AVAILABLE

| ITEM NO. | FINISH | SHADE |
|-----------|--------|-------|
| 21968-013 | CHROME | WHITE |



TECHNICAL DETAILS

| | | |
|----------------------|---|---|
| Light Direction | : | Down |
| Adjustable Lamp Head | : | No |
| Location | : | DAMP |
| Approval | : |  |
| Title 24 | : | Yes |
| Beam Angle | : | 40 |
| Cut Hole Length | : | 3.75" |
| Cut Hole Width | : | 3.75" |

PROJECT INFORMATION

 Job Name: Date: Category:

 Comments: