

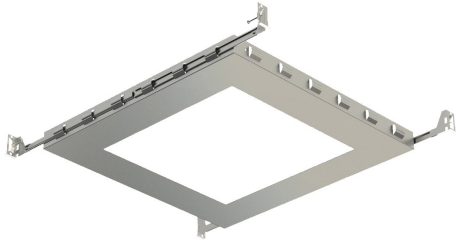
24066, NC PLATE: TE214B/TE214BGU10/TE214BTR/ TE614BLED

PRODUCT DETAILS

No. : 24066-013
 Length : 20"
 Width : 18"
 Height : 1.375"

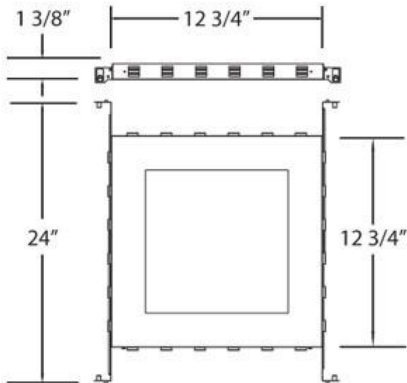
TECHNICAL DETAILS

Cut Hole Length : 8.563"
 Cut Hole Width : 8.563"



OPTIONS AVAILABLE

ITEM NO.	FINISH	SHADE
24066-013		
24066-020		



PROJECT INFORMATION

Job Name: Date: Category:

Comments: