

31216, 3.5-INCH 10W LED



PRODUCT DETAILS

No.	:	31216-02
Product Color	:	WHITE
Diameter	:	4.4375"
Height	:	4.5"
Weight	:	0.3lbs


LIGHT SOURCE DETAILS

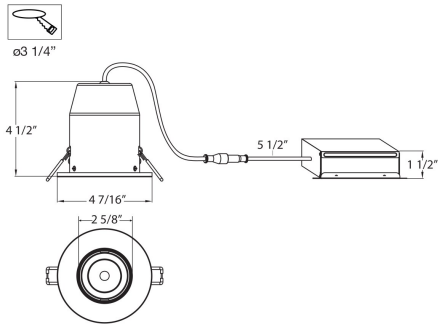
Light Source Type	:	INTEGRATED LED
Input Voltage	:	120V
Bulb Voltage	:	120V
Socket Type	:	LED
Total Wattage	:	10W
Initial Lumens	:	950lm
Kelvin	:	3000K
CRI	:	80
Dimmable	:	Yes

OPTIONS AVAILABLE

ITEM NO.	FINISH	SHADE
31216-02	WHITE	
31216-04	BRUSHED NICKEL	
31216-35-02	WHITE	

TECHNICAL DETAILS

Light Direction	:	Down
Adjustable Lamp Head	:	No
Location	:	DAMP
Approval	:	
Title 24	:	Yes
Beam Angle	:	40
Cut Hole Diameter	:	3.25"



PROJECT INFORMATION

 Job Name: Date: Category:

 Comments: