

## 34897-40, 3.5-INCH ROUND LED RECESSED, 12W



### PRODUCT DETAILS

No.	:	34897-40-01
Product Color	:	BLACK
Diameter	:	4.375"
Height	:	3.375"


### LIGHT SOURCE DETAILS

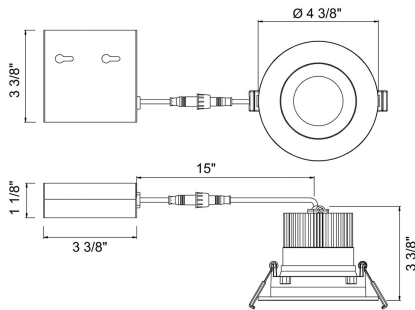
Light Source Type	:	INTEGRATED LED
Input Voltage	:	120V
Bulb Voltage	:	120V
Socket Type	:	LED
Total Wattage	:	12W
Initial Lumens	:	800lm
Kelvin	:	4000K
CRI	:	90
Dimmable	:	Yes

### OPTIONS AVAILABLE

ITEM NO.	FINISH	SHADE
34897-40-01	BLACK	
34897-40-02	WHITE	

### TECHNICAL DETAILS

Location	:	DAMP
Approval	:	
Title 24	:	Yes
Beam Angle	:	40
Cut Hole Diameter	:	3.75"



### PROJECT INFORMATION

 Job Name:  Date:  Category: 

 Comments: