

TE112TR, 2-LIGHT, MULTIPLE RECESSED, MR16,W/TRANSFORMER



PRODUCT DETAILS

No.	:	TE112TR-02
Product Color	:	BLACK
Shade / Accent Colour	:	WHITE
Length	:	10.5"
Width	:	6.5"
Height	:	6"

LIGHT SOURCE DETAILS

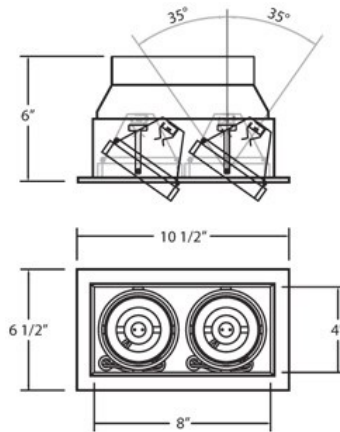
Number of Bulbs	:	2
Light Source	:	Halogen
Light Source Type	:	MR16
Input Voltage	:	120V
Bulb Voltage	:	12V
Socket Type	:	GU5.3
Wattage	:	50W
Total Wattage	:	100W
Bulb Included	:	No
Dimmable	:	Yes

OPTIONS AVAILABLE

ITEM NO.	FINISH	SHADE
TE112TR-02	BLACK	WHITE
TE112TR-22	WHITE	WHITE

TECHNICAL DETAILS

Location	:	DRY
Approval	:	
Horizontal Adjustment	:	35
Cut Hole Length	:	9.5"
Cut Hole Width	:	5.125"



PROJECT INFORMATION

 Job Name: Date: Category:

 Comments: