

## TE222LED, 2-LIGHT TRIMLESS LED MULTIPLE RECESS

### PRODUCT DETAILS

No.	:	TE222LED-30-4-02
Product Color	:	WHITE
Length	:	12.25"
Width	:	6.25"
Height	:	7"




### LIGHT SOURCE DETAILS

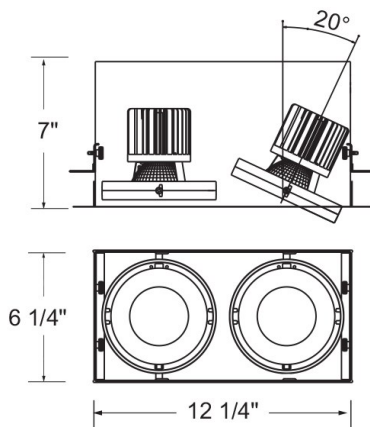
Light Source Type	:	INTEGRATED LED
Input Voltage	:	120V
Bulb Voltage	:	120V
Socket Type	:	LED
Total Wattage	:	52W
Initial Lumens	:	5000lm
Kelvin	:	3000K
CRI	:	90
Dimmable	:	Yes

### OPTIONS AVAILABLE

ITEM NO.	FINISH	SHADE
TE222LED-30-4-01	BLACK	
TE222LED-30-4-02	WHITE	

### TECHNICAL DETAILS

Driver	:	Inventronics 35W Current Driver
Approval	:	
Title 24	:	Yes
Beam Angle	:	40
Cut Hole Length	:	12.5"
Cut Hole Width	:	6.5"



### PROJECT INFORMATION

 Job Name:  Date:  Type: 

 Comments: