

TE613LED, 3-LIGHT TRIMLESS LED MULTIPLE RECESS

PRODUCT DETAILS

| | | |
|---------------|---|------------------|
| No. | : | TE613LED-35-2-02 |
| Product Color | : | WHITE |
| Length | : | 12.1875" |
| Width | : | 4" |
| Height | : | 5" |




LIGHT SOURCE DETAILS

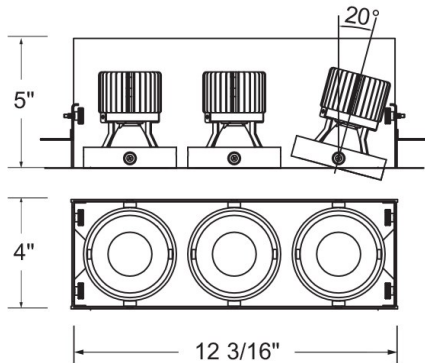
| | | |
|-------------------|---|----------------|
| Light Source Type | : | INTEGRATED LED |
| Input Voltage | : | 120V |
| Bulb Voltage | : | 120V |
| Socket Type | : | LED |
| Total Wattage | : | 45W |
| Initial Lumens | : | 3870lm |
| Kelvin | : | 3500K |
| CRI | : | 90 |
| Dimmable | : | Yes |

OPTIONS AVAILABLE

| ITEM NO. | FINISH | SHADE |
|------------------|--------|-------|
| TE613LED-35-2-01 | BLACK | |
| TE613LED-35-2-02 | WHITE | |

TECHNICAL DETAILS

| | | |
|-----------------|---|--|
| Driver | : | ES 16.8W Current Driver |
| Location | : | DRY |
| Approval | : |  |
| Title 24 | : | Yes |
| Beam Angle | : | 20 |
| Cut Hole Length | : | 12.375" |
| Cut Hole Width | : | 4.188" |



PROJECT INFORMATION

 Job Name: Date: Type:

 Comments: