

## TE614BLED, 4-LIGHT TRIMLESS LED MULTIPLE RECESS

### PRODUCT DETAILS

No.	:	TE614BLED-40-2-01
Product Color	:	BLACK
Length	:	8.25"
Width	:	8.25"
Height	:	4.875"




### LIGHT SOURCE DETAILS

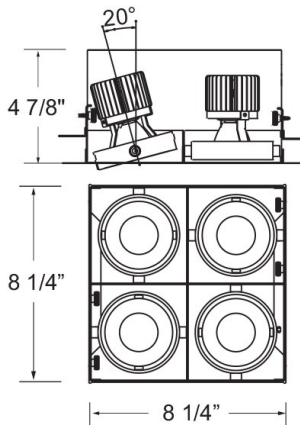
Light Source Type	:	INTEGRATED LED
Input Voltage	:	120V
Bulb Voltage	:	120V
Socket Type	:	LED
Total Wattage	:	60W
Initial Lumens	:	5160lm
Kelvin	:	4000K
CRI	:	90
Dimmable	:	Yes

### OPTIONS AVAILABLE

ITEM NO.	FINISH	SHADE
TE614BLED-40-2-01	BLACK	
TE614BLED-40-2-02	WHITE	

### TECHNICAL DETAILS

Driver	:	ES 16.8W Current Driver
Location	:	DRY
Approval	:	
Title 24	:	Yes
Beam Angle	:	20
Cut Hole Length	:	8.5"
Cut Hole Width	:	8.5"



### PROJECT INFORMATION

 Job Name:       Date:       Category: 

 Comments: