

## TR-M07, TRIM, 3 1/4-INCH BAFFLED GIMBAL



### PRODUCT DETAILS

|               |   |               |
|---------------|---|---------------|
| No.           | : | TR-M07-06     |
| Product Color | : | ANTIQUE BRASS |
| Diameter      | : | 4.5"          |
| Height        | : | 1.25"         |


### LIGHT SOURCE DETAILS

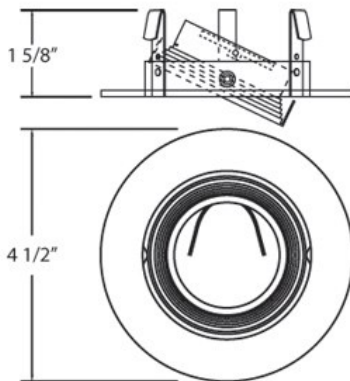
|                   |   |                   |
|-------------------|---|-------------------|
| Number of Bulbs   | : | 1 / 1             |
| Light Source      | : | Halogen / Halogen |
| Light Source Type | : | MR16 / GU10       |
| Input Voltage     | : | 120 / 120V        |
| Bulb Voltage      | : | 12 / 120V         |
| Socket Type       | : | /                 |
| Wattage           | : | 50 / 50W          |
| Total Wattage     | : | 50 / 50W          |
| Bulb Included     | : | No / No           |
| Dimmable          | : | Yes / Yes         |

### OPTIONS AVAILABLE

| ITEM NO.  | FINISH        | SHADE |
|-----------|---------------|-------|
| TR-M07-03 | GOLD          |       |
| TR-M07-04 | SATIN NICKEL  |       |
| TR-M07-05 | CHROME        |       |
| TR-M07-06 | ANTIQUE BRASS |       |
| TR-M07-08 | SATIN COPPER  |       |
| TR-M07-09 | BRONZE        |       |

### TECHNICAL DETAILS

|                   |   |   |
|-------------------|---|---|
| Approval          | : |  |
| Beam Angle        | : | 45  |
| Cut Hole Diameter | : | 3.375"  |



### PROJECT INFORMATION

 Job Name:  Date:  Type: 

 Comments: