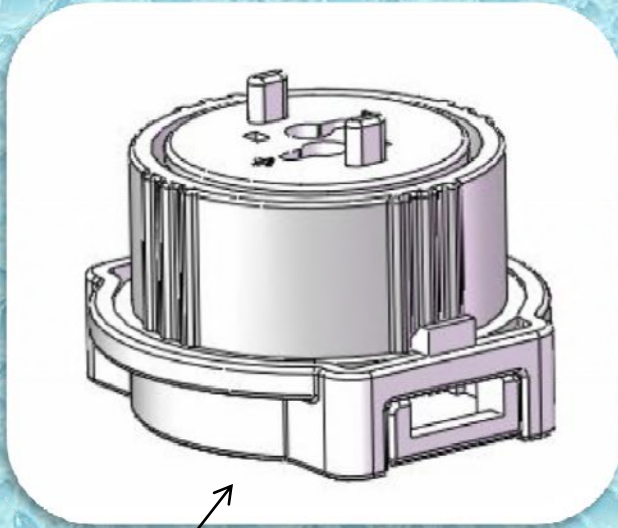


Connector model 31965-019

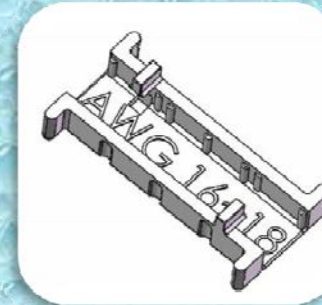
1. Suitable for Underground Low Voltage Circuit Cable (#10, 12, 14, 16, 18).



Bottom base for : #10、12 AWG Wire



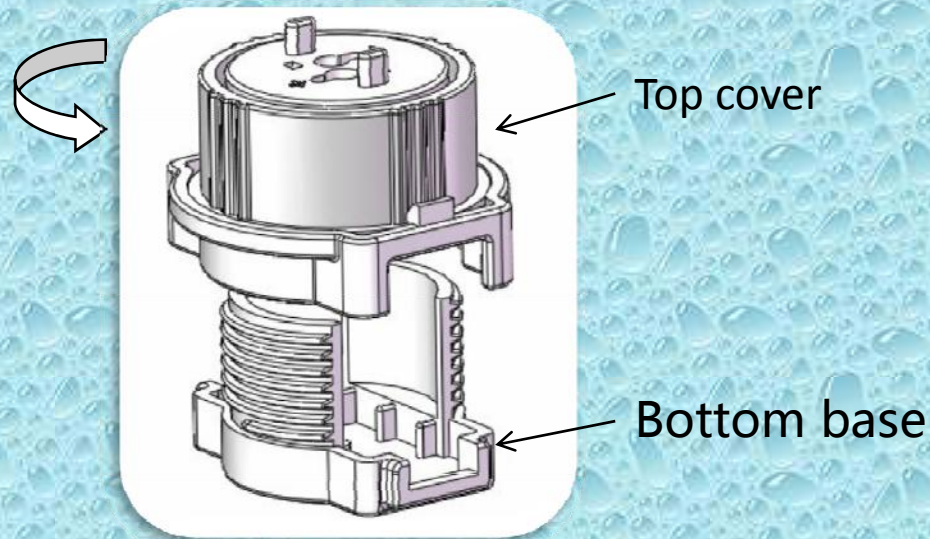
Cable Holder for :
#14、16 AWG Wire



Cable Holder for :
#16、18 AWG Wire

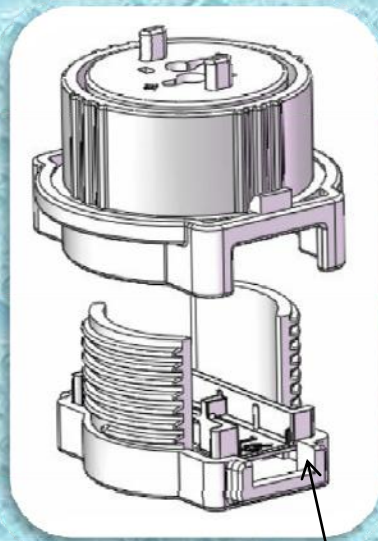
31965-019 Operation Manual

2. Unscrew the top cover counterclockwise from the bottom base.

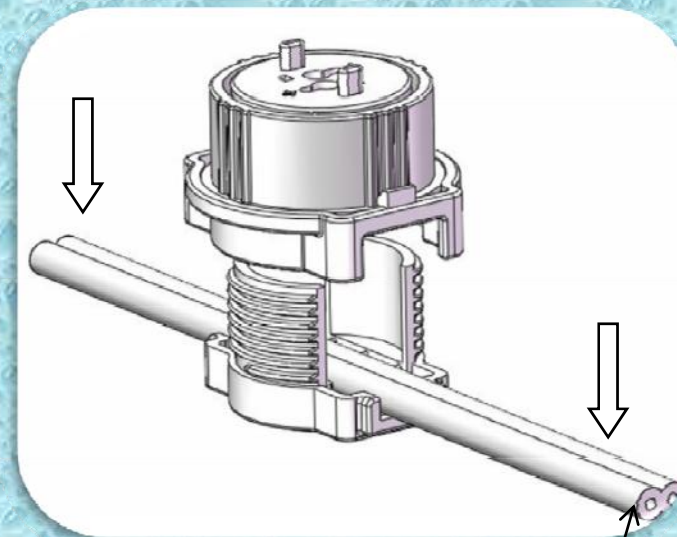


31965-019 Operation Manual

3. Choose appropriate Cable Holder and insert into the bottom base. Insert low voltage cable into the Cable Holder.



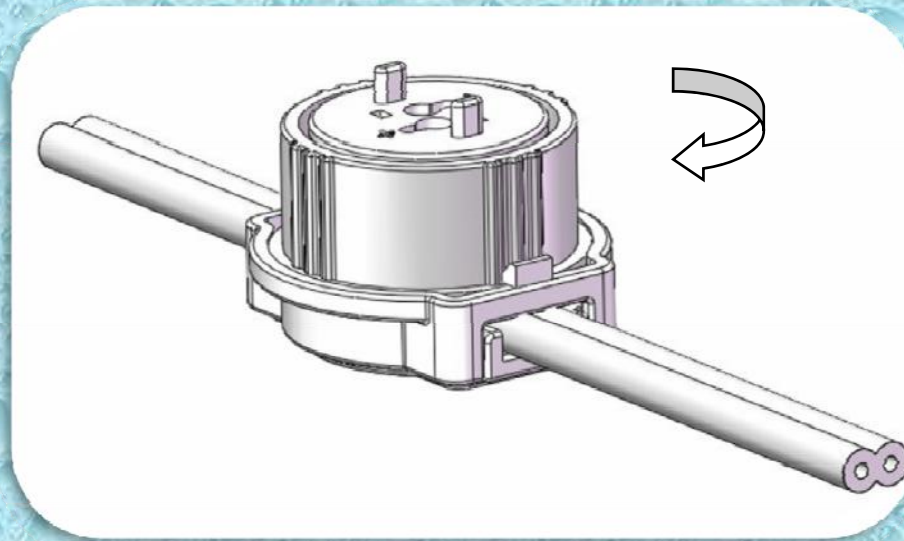
Cable Holder



Underground Cable

31965-019 Operation Manual

4. Screw the top cover and the bottom base together tightly to complete assembly.



31965-019 Operation Manual

5. Strip the Luminaire Wire 10-11mm and Solder the copper wire. Insert the wires into the terminals to complete the connection.

